

URINAL K-5016-ET

Features

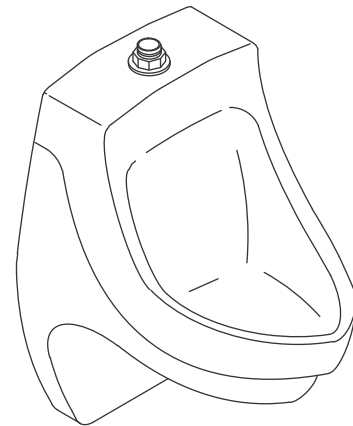
- Vitreous china
- Siphon jet
- 3/4" top spud
- Includes inlet and outlet spuds and hangers
- Includes anti-backsplash wall
- 14-1/2" (368 mm) extended rim
- 0.5 gpf (1.9 lpf) or 1.0 gpf (3.8 lpf)
- WaterSense® compliant when used with WaterSense flushometer



Codes/Standards Applicable

Specified model meets or exceeds the following:

- ADA
- ICC/ANSI A117.1
- ASME A112.19.2/CSA B45.1
- EPA WaterSense®



Colors/Finishes

- 0: White
- Other: Refer to Price Book for additional colors/finishes

Accessories

- CP: Polished Chrome

Specified Model

Model	Description	Colors/Finishes	
K-5016-ET	3/4" top spud urinal	<input type="checkbox"/> 0	<input type="checkbox"/> Other_____

Recommended Accessories			
K-10675	WAVE exposed washout urinal flushometer – 0.5 gpf (1.9 lpf)	<input type="checkbox"/>	CP
K-10958	Touchless DC washout urinal flushometer – 0.5 gpf (1.9 lpf)	<input type="checkbox"/>	CP
K-10961	Touchless DC siphon jet urinal flushometer – 1.0 gpf (3.8 lpf)	<input type="checkbox"/>	CP
K-13521	Manual siphon jet urinal flushometer – 1.0 gpf (3.8 lpf)	<input type="checkbox"/>	CP

Product Specification

The siphon jet urinal shall be made of vitreous china with a 3/4" top spud. Urinal shall include inlet and outlet spuds and hangers. Urinal shall include anti-backsplash wall. Urinal shall use 0.5 gpf (1.9 lpf) or 1.0 gpf (3.8 lpf). Urinal shall be WaterSense compliant when used with WaterSense flushometer. Urinal shall have a 14-1/2" (368 mm) extended rim. Urinal shall be Kohler Model K-5016-ET-_____.

DEXTER™

Technical Information

Fixture:	
Configuration	3/4" top spud
Spud inlet size	3/4"
Water per flush	0.5 gpf (1.9 lpf) or 1.0 gpf (3.8 lpf)
Included components:	
3/4" inlet spud	18376
2" outlet spud	18766
Hanger (2 required)	64512

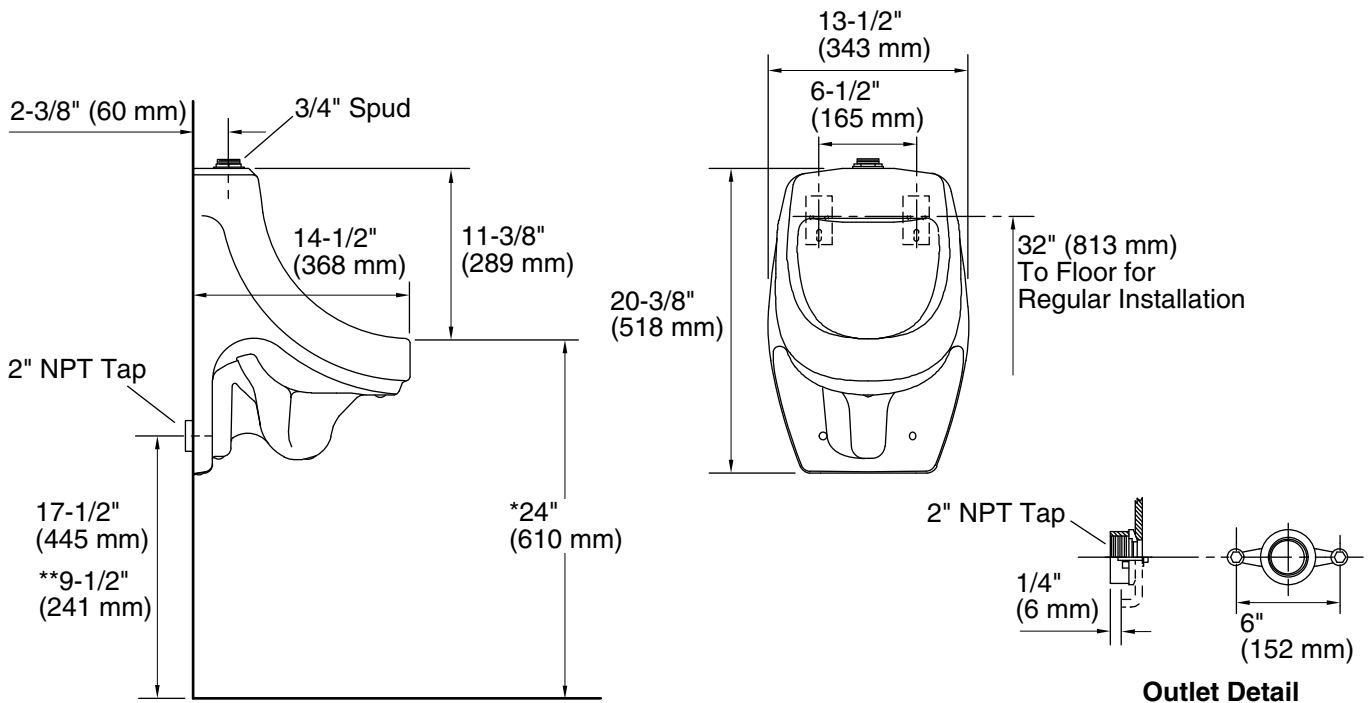
Installation Notes

Install this product according to the installation guide.

Refer to manufacturer's instructions and local codes for flushometer requirements.

Will comply with **ADA** when installed per Section 605 Urinals of the ADA 2010 Standards for Accessible Design.

*Urinal complies with ADA requirement when rim is mounted no higher than 17" (432 mm) from finished floor.
 **Outlet height for ADA compliance.



Product Diagram