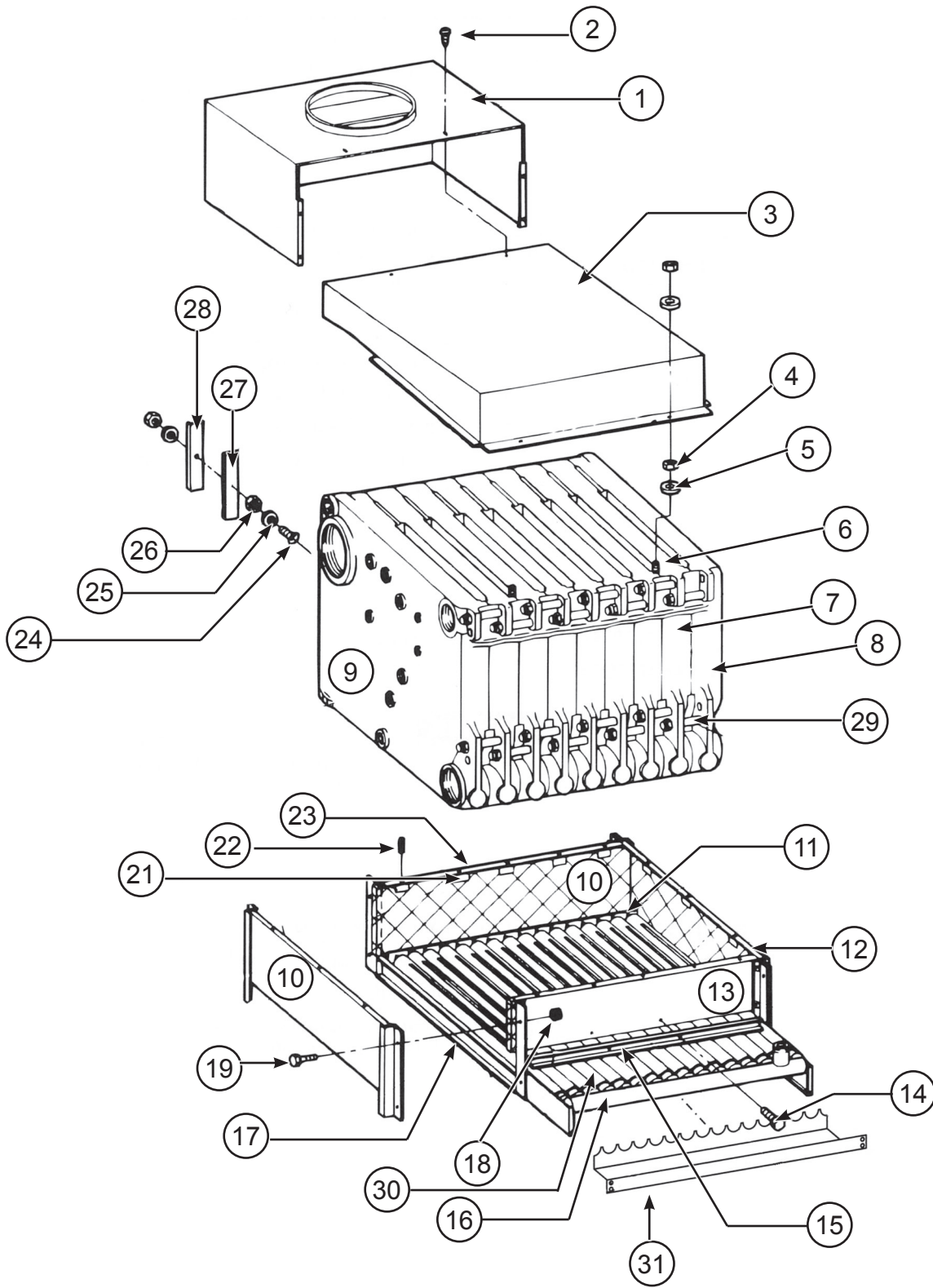


LGB - Series 1 & 2
Section / Base Assembly



GAS

LGB - Series 1 & 2 Section / Base Assembly Parts

Fig. No.	Part No.	Size	Description
N/S	383-300-405		Section Replacement Kit (Includes: Seals, Rope and Sealant For 1 Joint)
1	443-300-098	4	Horizontal Draft Hood, See Table 1 (Page 139)
	443-300-099	5	
	443-300-100	A	
	443-300-101	B	
	443-300-102	C	
	443-300-103	D	
	443-300-104	E	
	443-300-105	F	
	443-300-106	G	
2	Available Locally		Screw, Phillips # 10 X ½"
3	450-019-858	4	Horizontal Collector Hood, See Table 1 (Page 139)
	450-019-859	5	
	450-019-851	A	
	450-019-852	B	
	450-019-853	C	
	450-019-854	D	
	450-019-855	E	
	450-019-856	F	
	450-019-857	G	
4	Available Locally		Hex Nut, Regular ¼" - 20
5	Available Locally		Washer, Plain ¼"
6	Available Locally		Carriage Bolt, ¼" - 20 X 1½"
7	313-300-110		Regular Intermediate Section - 3315 - 80 P.S.I.
8	313-300-111		Right Hand End Section - 3318 - 80 P.S.I.
9	313-300-109		Left Hand End Section - 3314 - 80 PSI
N/S	592-800-005		9" Dia. Top Elastomer Seal (1 Per Joint)
	592-800-007		6" Dia. Bottom Elastomer Seal (1 Per Joint)
	591-706-214		Flue Brush, 123 DMG
10		4	Base Front and Back Insulation, See Tables 1 & 2 (Page 139)
		5	
		A	
		B	
		C	
		J	
		K	

LGB - Series 1 & 2

Section / Base Assembly Parts Continued

Table 1
Size Designator According To Boiler Size

Boiler Size	Size Designator		Boiler Size	Size Designator	
	Left Base	Right Base		Left Base	Right Base
LGB-4	4	-	LGB-14	B	C
LGB-5	5	-	LGB-15	C	C
LGB-6	A	-	LGB-16	C	D
LGB-7	B	-	LGB-17	D	D
LGB-8	C	-	LGB-18	D	E
LGB-9	D	-	LGB-19	E	E
LGB-10	E	-	LGB-20	E	F
LGB-11	F	-	LGB-21	F	F
LGB-12	G	-	LGB-22	F	G
LGB-13	B	B	LGB-23	G	G

Table 2
Base Front and Back Insulation According To Size Designator

Size Designator	Base Front and Back Insulation	
	Designator	Designator
4	4	-
5	5	-
A	A	-
B	B	-
C	C	-
D	A	E
E	B	E
F	A	D
G	B	D

Note: Refer to Table 1 to Key Size Designator According to Boiler Size

LGB base insulation part numbers have changed. The front and back insulation set, Item 9, is replaced with the following part numbers.

Note: Both a front and a rear insulation piece must be ordered now, instead of a set.

On the larger bases, 2 pieces make up the front insulation and 2 pieces make up the rear insulation.

D Base = A front and rear plus an E front and rear

E Base = B front and rear plus an E front and rear

F Base = A front and rear plus a D front and rear

G Base = B front and rear plus a D front and rear

Fig.No.	Part No.	Size	Description
9	591-221-330	4	Base Insulation Front
	591-221-331	4	Base Insulation Rear
	591-221-332	5	Base Insulation Front
	591-221-333	5	Base Insulation Rear
	591-221-334	A	Base Insulation Front
	591-221-335	A	Base Insulation Rear
	591-221-336	B	Base Insulation Front
	591-221-337	B	Base Insulation Rear
	591-221-338	C	Base Insulation Front
	591-221-339	C	Base Insulation Rear
	591-221-340	D	Base Insulation Front
	591-221-341	D	Base Insulation Rear
	591-221-342	E	Base Insulation Front
	591-221-343	E	Base Insulation Rear