

Features

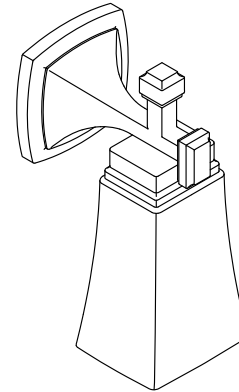
- Clear, bell-shaped shades hang delicately from chunky bars and square bases in versatile, traditionally inspired designs.
- Coordinates with faucets in the Riff collection.
- Requires one bulb with medium (E26) base; T10 bulb recommended (sold separately).
- Suitable for damp locations, per UL 1598.

Material

- Premium metal and glass construction.
- Manufactured with quality materials and complemented with a meticulous finishing process.
- Durable finishes engineered to last and designed to coordinate with KOHLER faucet finishes.

Installation

- Installation hardware included.



Codes/Standards

UL 1598
CSA C22.2 No. 250.0

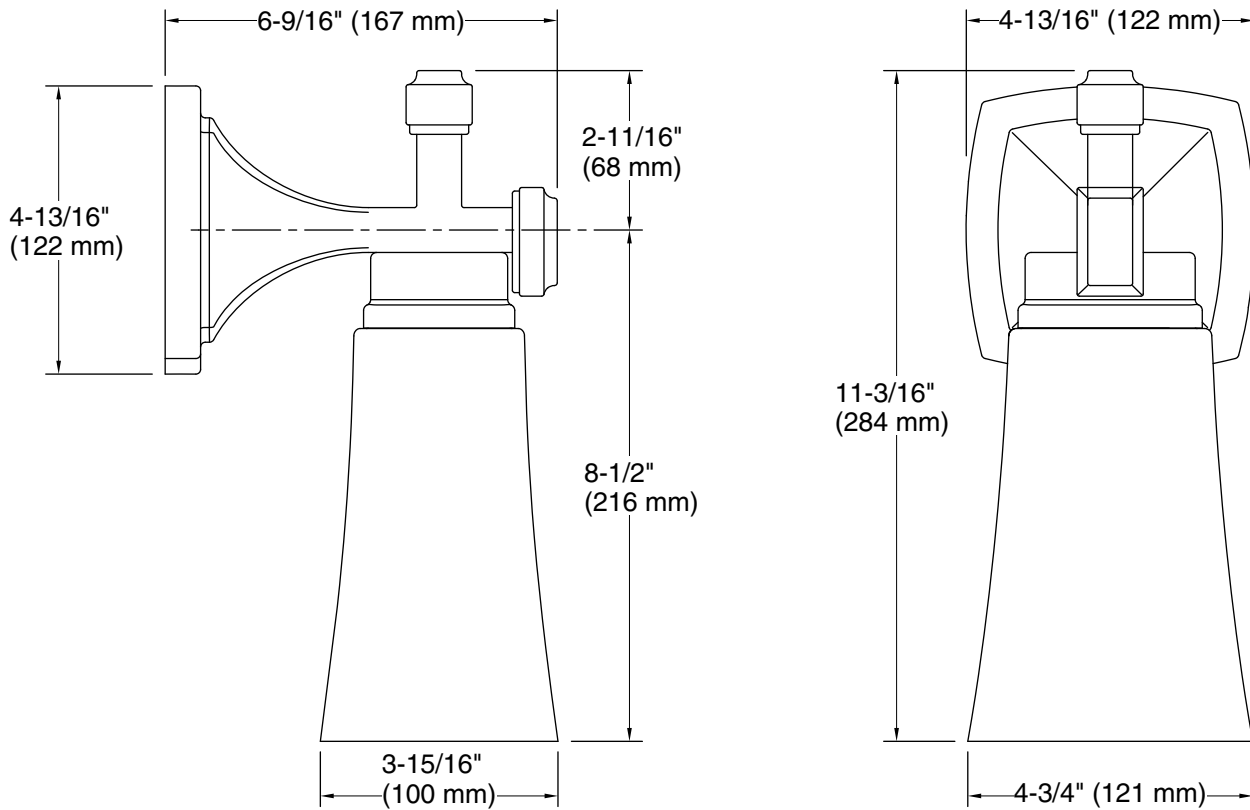
KOHLER® Indoor Lighting Fixtures Limited Warranty

See website for detailed warranty information.

Available Colors/Finishes

Color tiles intended for reference only.

Color	Code	Description
	SNL	Polished Nickel
	BNL	Brushed Nickel
	CPL	Polished Chrome
	BLL	Matte Black
	2GL	Brushed Moderne Brass



Required Electrical Service

One circuit required.

120 V, 60 Hz

Technical Information

All product dimensions are nominal.

Material: Steel, Glass, Aluminum, Zinc

Number of Lights: 1

Lighting Type: Socket-based

Socket Type: E-26 Medium

Number of Shades: 1

Shade Type: Glass - clear