



The Choice of Professionals

King Bros. Industries

29101 The Old Road, Valencia, CA 91355

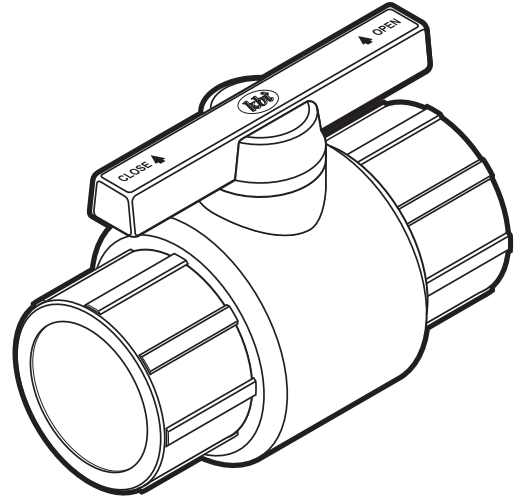
Toll Free: (800) 325-9468 Fax: (661) 257-4320

E-mail: valves@kbico.com Web: www.kbico.com

CPVC Lo-Torque Ball Valves

Features:

- Low torque required to operate
- Precision molded micro-finish ball for long life and smooth movement.
- HMW-HDPE "floating seals".
- Full Port Design.
- Meets/Exceeds ASTM & ANSI standards.
- Made with **PlatinumXCELL**® material.
- Pressure Rated to 100 psi @ 180°F Nominal operating pressure.
- Complies with all Low-Lead plumbing laws.
- ASTM D2846 25-50 Flame & Smoke Rated (*water filled*).
- Code approved.
- Molded in the **USA** by KBI.



Model	Size	Case	L	D	H
CLT-0500-S	1/2"	36	3.2"	1.6"	2.4"
CLT-0750-S	3/4"	18	3.8"	2.0"	3.0"
CLT-1000-S	1"	12	4.2"	2.3"	3.4"
CLT-1250-S	1 1/4"	6	5.0"	2.9"	4.2"
CLT-1500-S	1 1/2"	6	5.5"	3.0"	4.4"
CLT-2000-S	2"	4	6.8"	4.0"	5.2"

FEATURES COMMON TO KBI CPVC PLUMBING PRODUCTS

- NSF listed *
- IAPMO (UPC) listed *
- Molded in the USA by KBI
- Pressure rated to 100 psi @180°F
- Meets/Exceeds all ASTM Standards
- Made with PlatinumXCELL® CPVC
- Limited LIFETIME Warranty

