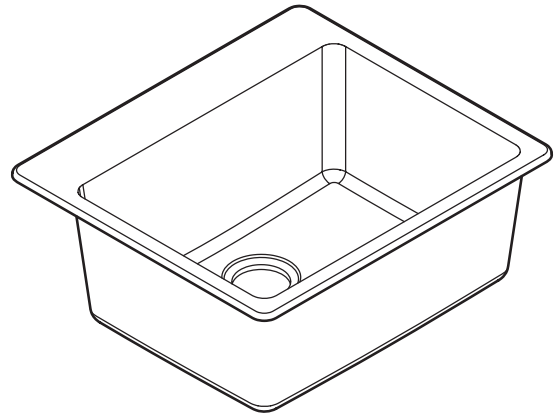


Model Number	Color	Depth-Inches
GGB3019B	Black	9-1/2"
GGW3019B	White	9-1/2"
GGR3019B	Gray	9-1/2"
GGM3019B - Discontinued	Mocha	9-1/2"



SINK DESCRIPTION

- Granite Series Single Bowl Sink
- (5) Pre-Scored Holes

INSTALLATION

- Dualmount: Undermount or Drop In
- Minimum Cabinet Size: 30"
- Sink Drains Sold Separately: GGA60W, GGA60M, GGA60B, GGA60R

WARRANTY

- Lifetime limited warranty to the original homeowner
- 10 year limited warranty when used in a Multi-family installation
- 5 year limited warranty when used in a Commercial installation
- Visit www.moen.com/customer-support/warranty for complete details and limitations

SINK DIMENSIONS

- Overall: 25" x 22" x 9-1/2"
- Bowl: 22-5/16" x 16-7/16" x 9-1/2"
- Drain Size: 3-1/2"
- Faucet Holes
 - 1-1/2" (38mm) diameter
 - 4" (102mm) center

CUT OUT DIMENSIONS

- 24-3/8" x 21-3/8" with 11/16" corner radius, tolerance of plus or minus 1-3/4" is acceptable

CRITICAL DIMENSIONS

(DO NOT SCALE)

