



Undertone®
Under-mount Kitchen Sink
K-3188

Features

- 45-inch minimum base cabinet width.
- 16-gauge stainless steel.
- Under-mount.
- Single compartment.
- With SilentShield® sound-absorption technology.
-
- 43" (1041 mm) x 8-1/4" (210 mm)

Optional Accessories

- K-2989 Hardwood Countertop Cutting Board
- K-3136 Sink Rack
- K-8801 Sink Strainer

Components

- Product includes:
91915 Hardware Kit

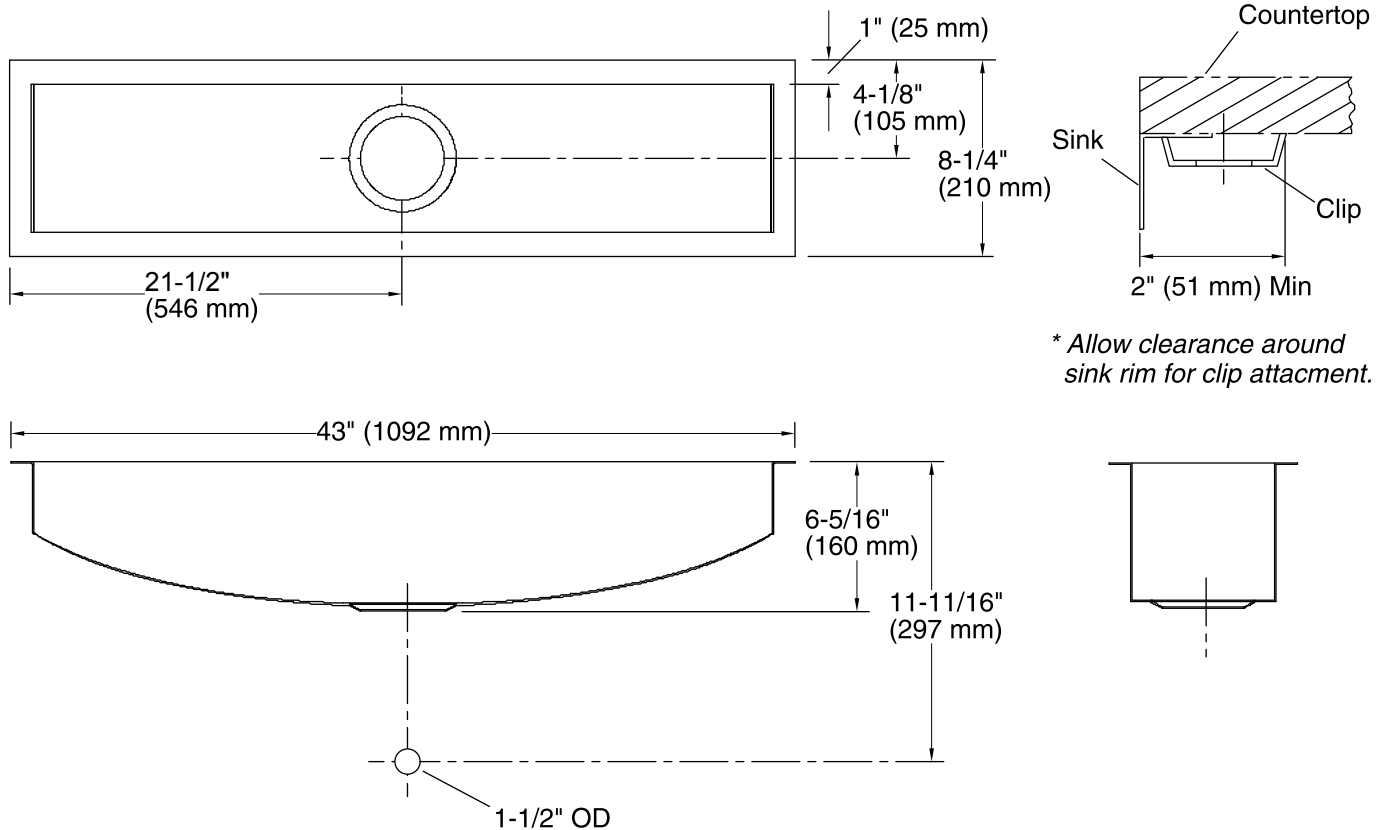


Codes/Standards

ASME A112.19.3/CSA B45.4

**Lifetime Limited Warranty for
KOHLER® Stainless Steel Sinks**

See website for detailed warranty information.



Technical Information

All product dimensions are nominal.

| | |
|---------------------|---|
| Bowl configuration: | Single |
| Installation: | Under-mount, Under-mount |
| Bowl area | Length: 41" (1041 mm) Width: 6-1/4" (159 mm) Bowl depth: 6-5/16" (160 mm) |
| Drain hole: | 3-5/8" (92 mm) |
| Template: | Under-mount, 1022024-7, required, included |

Notes

Install this product according to the installation instructions.

Allow a minimum of 2" (51 mm) clearance around the sink rim for clip attachment.