



Staccato™
Top-mount Kitchen Sink
K-3362-4

Features

- Single compartment.
- 4-hole drilling.
- 25" (635 mm) x 22" (569 mm)

Material

- 18-gauge stainless steel.

Installation

- Top-mount
- Includes installation hardware.

Optional Accessories

- 3366
- K- 8801 Sink Strainer
- K-8803
- K-8804
- K-8813
- K-8814

Components

Additional included component/s: Installation hardware.

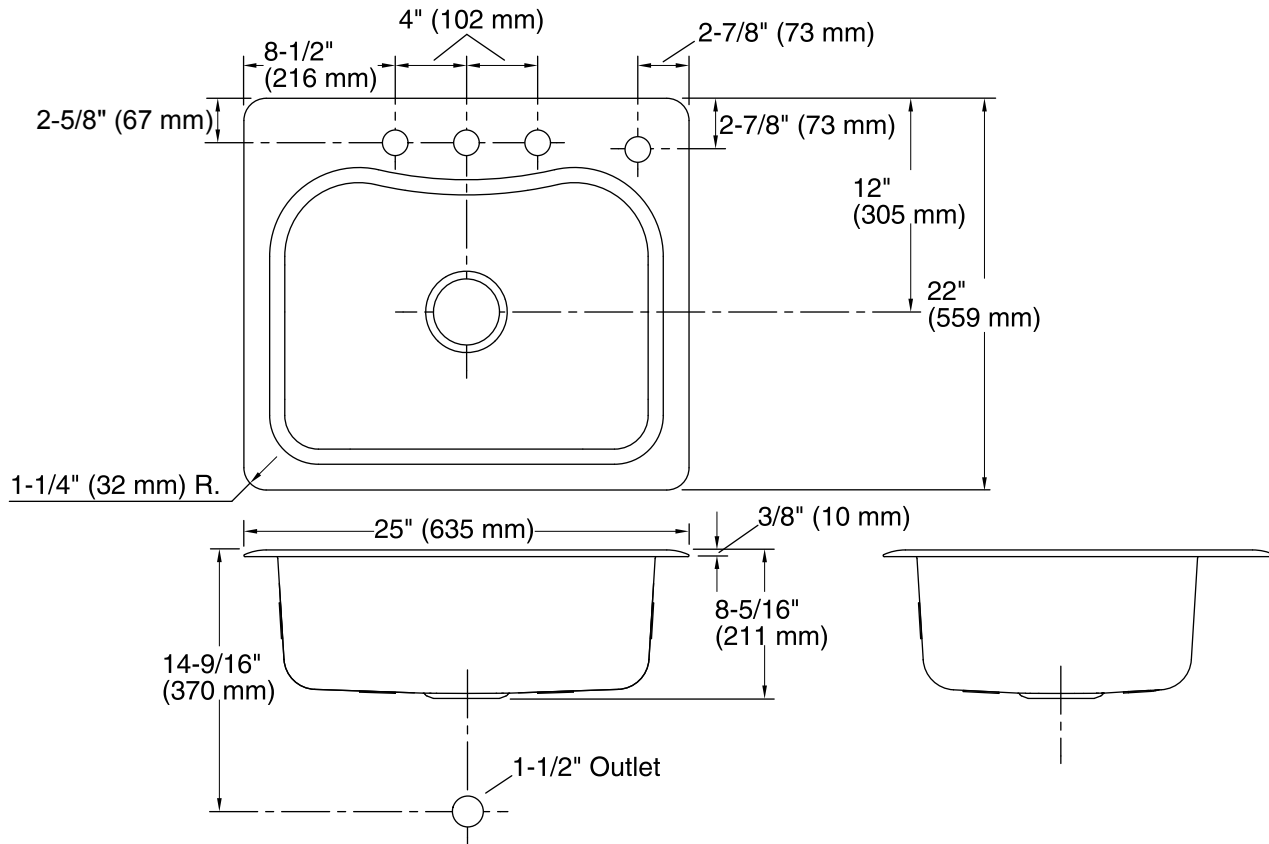


Codes/Standards

ASME A112.19.3/CSA B45.4

**Lifetime Limited Warranty for Kohler
Stainless Steel Sinks**

See website for detailed warranty information.



Technical Information

All product dimensions are nominal.

Bowl configuration:	Single
Cutout:	Top-mount, 24-1/2" x 21-1/2" (622 mm x 546 mm) with 1" (25 mm) radius corners
Min. base cabinet width:	27" (686 mm)
Bowl area	Length: 21-1/8" (537 mm) Width: 15-11/16" (398 mm) Bowl depth: 8-5/16" (211 mm) Water depth: 8" (203 mm)
Number of deck holes:	4
Faucet hole(s):	1-7/16" (37 mm)
Drain hole:	3-5/8" (92 mm)

Notes

Install this product according to the installation guide.