

### Features

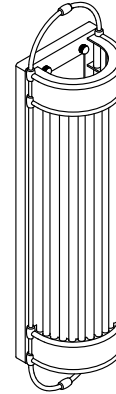
- Uniquely shaped glass shades intersect with decorative metal rings and rods in equestrian-inspired designs.
- A great piece for almost any space — master bathroom, guest bathroom, hallway, or bedside.
- Requires two bulbs with candelabra (E12) base; G16-1/2 bulb recommended (sold separately).
- Suitable for damp locations, per UL 1598.

### Material

- Manufactured with quality materials and complemented with a meticulous finishing process.
- Durable finishes engineered to last and designed to coordinate with KOHLER faucet finishes.

### Installation

- Installation hardware included.



### Codes/Standards

UL 1598  
CSA C22.2 No. 250.0

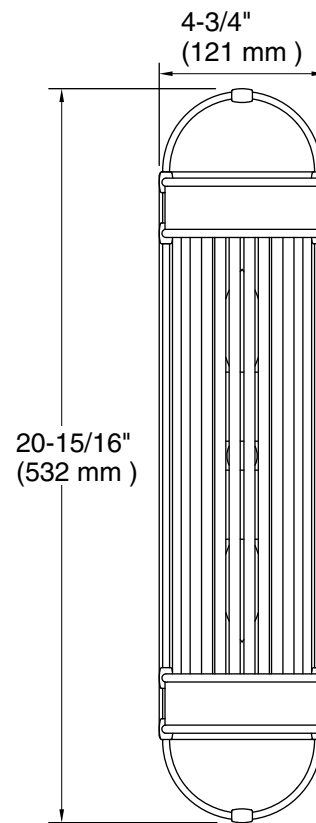
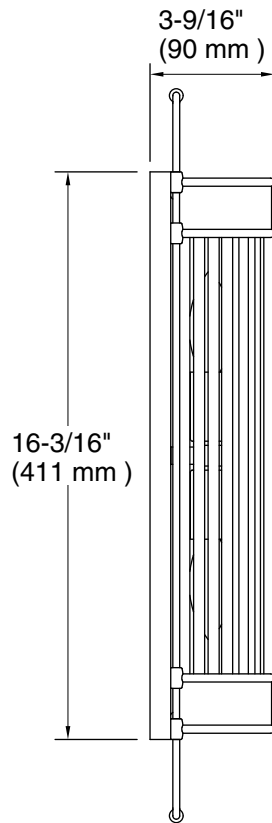
### KOHLER® Indoor Lighting Fixtures Limited Warranty

See website for detailed warranty information.

### Available Colors/Finishes

*Color tiles intended for reference only.*

Color	Code	Description
	SNL	Polished Nickel
	CPL	Polished Chrome
	2GL	Brushed Moderne Brass
	BVL	



### Required Electrical Service

One circuit required.

120 V, 60 Hz

### Technical Information

All product dimensions are nominal.

Installation Type:	Ceiling-mount
Material:	Steel, Brass, Glass
Number of Lights:	2
Lighting Type:	Socket-based
Socket Type:	E-12 Candelabra
Number of Shades:	16
Shade Type:	Glass - clear