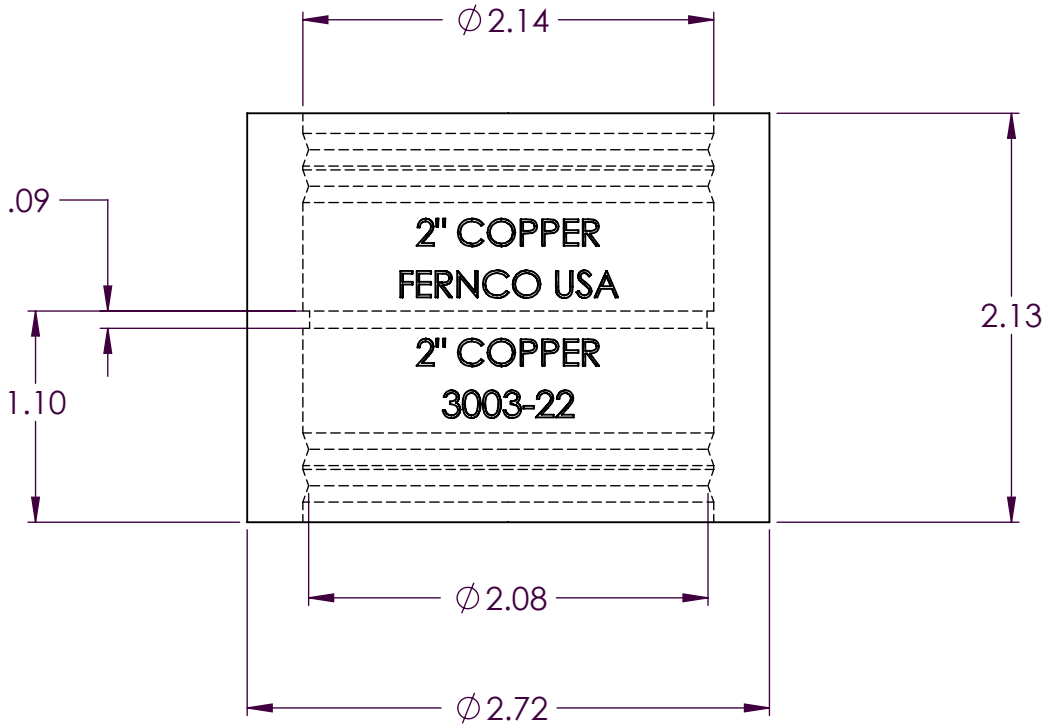
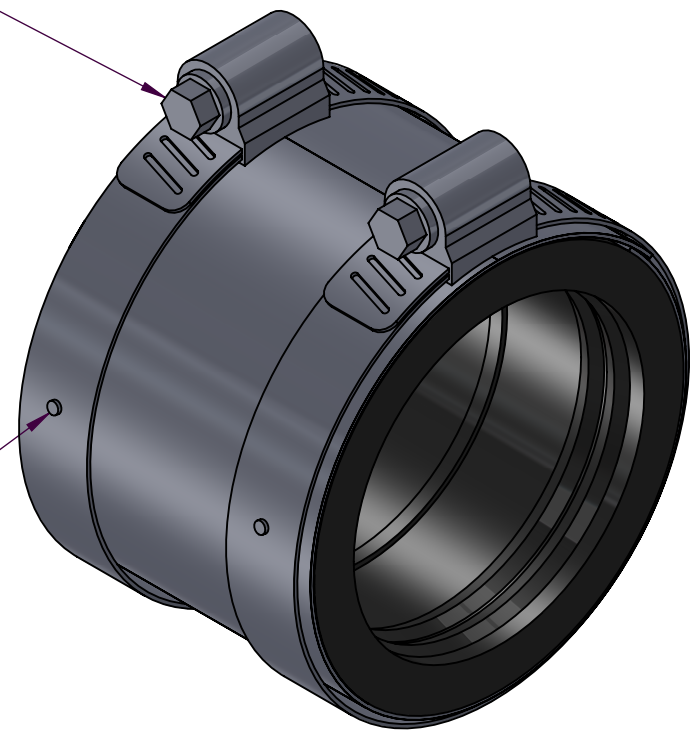


5/16" HEX

RIVETED CONSTRUCTION



2" COPPER
FERNCO USA

2" COPPER
3003-22

LEGEND:
 CI = NO-HUB CAST IRON
 PL = SCH. 40 PVC
 ST = STEEL, IRON PIPE SIZE
 XHCI = EXTRA HEAVY WEIGHT CAST IRON

The Information Contained in this Drawing is the Sole Property of Fernco. Any Reproduction in Part or in Whole without Written Permission is Prohibited.

Clamp/Shield: All 300 SS, Installation Torque 60 in-lb
 Gasket Material: Rubber Complying to ASTM C564
 Coupling: Complies to ASTM C 1460
 Temperature Range: -30 °F to 180 °F
 Drain, waste and Vent Use Only



Tolerance:
 Angular $\pm 3^\circ$
 X = ± 0.09
 .XX = ± 0.06

SHEET 1 OF 1
 Dimensions are in Inches
 Drawn by: SR
 DATE: 3/16/2015

Part Number: **3003-22**

FERNCO INC. DAVISON MI.

Do Not Scale

Description: **2" Copper to 2" Copper**