

For Commercial and Industrial Applications

Job Name _____

Contractor _____

Job Location _____

Approval _____

Engineer _____

Contractor's P.O. No. _____

Approval _____

Representative _____

LEAD FREE*

G2 Series LFB6080G2, LFB6081G2 2-Piece, Full Port, Lead Free* Bronze Ball Valves

Sizes: 1/4" – 2"

The G2 series ball valve is a 2-Piece, Full Port, Lead Free, Bronze Ball valve. These products can be used in both commercial and industrial applications. This series features a blowout proof stem and a full-port orifice to ensure minimal pressure drop. The G2 series is available with solder or NPT end-connections.

Features

- Lead Free*, forged bronze body and adapter
- Full-port flow
- Full range of sizes from 1/4" – 2"
- Certified to NSF 372
- Minimal pressure drop due to large ports
- Blowout proof, pressure retaining stem
- Adjustable stem packing gland
- White handles for easy Lead Free* identification
- 100% Factory tested in USA
- Used in commercial and industrial applications for a full range of liquids and gasses.

Models

LFB6080G2 1/4" – 2" threaded NPT end connections

LFB6081G2 3/8" – 2" solder end connections**

Please refer to watts.com for BAA information on specific models.

NOTICE

The information contained herein is not intended to replace the full product installation and safety information available or the experience of a trained product installer. You are required to thoroughly read all installation instructions and product safety information before beginning the installation of this product.

Watts product specifications in U.S. customary units and metric are approximate and are provided for reference only. For precise measurements, please contact Watts Technical Service. Watts reserves the right to change or modify product design, construction, specifications, or materials without prior notice and without incurring any obligation to make such changes and modifications on Watts products previously or subsequently sold.



Pressure — Temperature

Temperature Range:

0°F – 400°F (-18°C – 205°C) @ 50psi (3.4 bar)

Pressure Range:

1/4" – 2" 600psi (41 bar) WOG, non-shock;
150psi (10.3 bar) WSP

Specifications

A 2-piece full port Lead Free* bronze ball valve to be installed as indicated on the plans. Valves with top loaded stems or valves without adjustable packing are not acceptable. Pressure rating no less than 600psi (41 bar) WOG non-shock and 150psi (10 bar) WSP. The valve shall be constructed using Lead

Free* bronze. Lead Free* ball valves shall comply with state codes and standards, where applicable, requiring reduced lead content. Valve must conform to NSF 372 and shall be a Watts Series LFB6080G2 (threaded) or LFB6081G2 (solder).

Standards

Tested and Certified by NSF International
NSF 372 Lead Free.



Applications

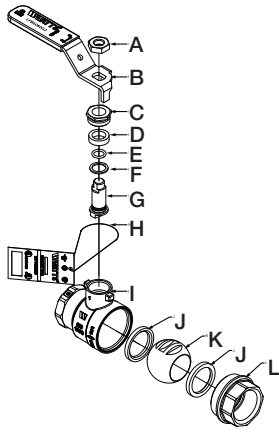
- Full range of fluids
- Hydronic Heating (90% glycol max)
- Low Pressure Steam, 15 psi max
- Not applicable for flammable gas installations
- Not compatible with soft annealed copper tubing

*The wetted surface of this product contacted by consumable water contains less than 0.25% of lead by weight.

NOTICE

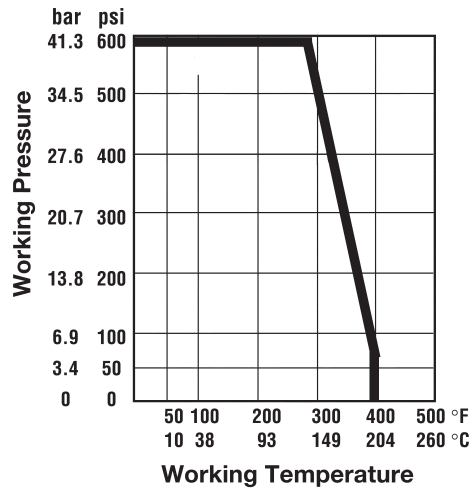
Apply heat with the flame directed **AWAY** from the center of the valve body. Excessive heat can harm the seats. After soldering, the packing nut may have to be tightened.

Materials

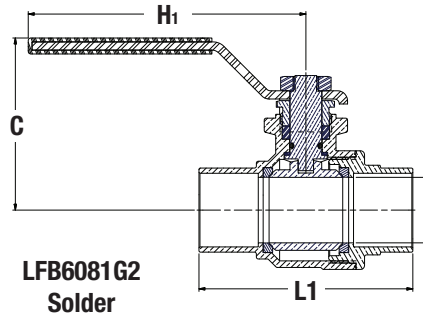
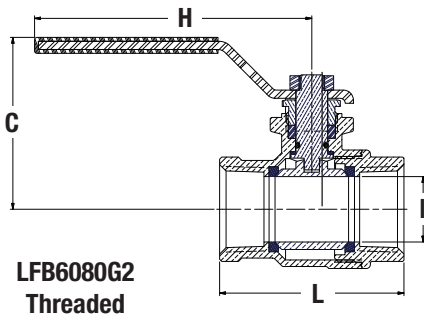


- A. Handle Nut Zinc-plated carbon steel
- B. Handle Assembly Zinc-plated carbon steel with vinyl insulator
- C. Packing Nut Brass
- D. Stem Packing Virgin PTFE
- E. O-ring Fluorocarbon elastomer (FKM)
- F. Thrust Washer Virgin PTFE
- G. Stem Lead Free* Brass
- H. Tag Cardboard, Mylar coated both sides
- I. Body Forged Lead Free* bronze
- J. Seats Virgin PTFE
- K. Ball Chrome-plated Lead Free* brass
- L. Adapter Forged Lead Free* bronze

Temperature – Pressure



Dimensions – Weights



SIZE	DIMENSIONS						WEIGHT							
	C		H, H1		I		L		L1		LFB6080		LFB6081	
in	in	mm	in	mm	in	mm	in	mm	in	mm	lbs.	kg	lbs.	kg
1/4"	1 13/16	46	3 7/16	87	7/16	11	1 3/4	47	-	-	0.4	0.2	-	-
3/8"	1 13/16	46	3 7/16	87	1/2	13	1 7/8	48.3	1 15/16	49	0.4	0.2	0.4	0.18
1/2"	1 13/16	46	3 7/16	87	1/2	13	2	57	2 1/8	54	0.5	0.22	0.4	0.18
3/4"	2 1/4	58	3 15/16	101	3/4	19	2 1/4	58	3	76	0.9	0.41	0.8	0.36
1"	2 5/8	67	4 1/4	108	1	26	3	77	3 1/2	89	1.4	0.65	1.3	0.57
1-1/4"	2 13/16	72	4 1/4	108	1 1/4	32	3 3/8	86	3 7/8	98	2.1	0.94	1.8	0.82
1-1/2"	3 3/16	80	5 5/16	135	1 1/2	38	3 11/16	93	4 5/16	109	3.1	1.4	2.7	1.23
2"	3 1/2	89	6	153	2	51	4 1/4	108	5 3/8	136	4.9	2.25	4.4	2.02

Ordering Chart

	Valve				Locking Handle Kit			Stem Extension	
	Ordering Code	Description	Connection Type	EDP	Description	Size	EDP	Description	Size
LFB6080G2-SS	0450115	1/4 LFB6080G2-SS	Threaded	88005484	#1 LL-HK LFB6080/1 G2-SS	Fits 1/4" - 1/2"	0789542	SXI-HK-1A StemExtension	1/4"-1/2" 3C/3CM1/G2
	0450116	3/8 LFB6080G2-SS	Threaded	88005484	#1 LL-HK LFB6080/1 G2-SS	Fits 1/4" - 1/2"	0789542	SXI-HK-1A StemExtension	1/4"-1/2" 3C/3CM1/G2
	0450117	1/2 LFB6080G2-SS	Threaded	88005484	#1 LL-HK LFB6080/1 G2-SS	Fits 1/4" - 1/2"	0789542	SXI-HK-1A StemExtension	1/4"-1/2" 3C/3CM1/G2
	0450118	3/4 LFB6080G2-SS	Threaded	88005485	#2 LL-HK LFB6080/1 G2-SS	Fits 3/4"	0789550	SXI-HK-9A StemExtension	3/4" 3C/G2
	0450119	1 LFB6080G2-SS	Threaded	88005486	#3 LL-HK LFB6080/1 G2-SS	Fits 1" - 1 1/4"	0789551	SXI-HK-10A StemExtension	1" - 1 1/4" 3C/G2
	0450120	1 1/4 LFB6080G2-SS	Threaded	88005486	#3 LL-HK LFB6080/1 G2-SS	Fits 1" - 1 1/4"	0789551	SXI-HK-10A StemExtension	1" - 1 1/4" 3C/G2
	0450121	1 1/2 LFB6080G2-SS	Threaded	88005487	#4 LL-HK LFB6080/1 G2-SS	Fits 1 1/2"	0789552	SXI-HK-11A StemExtension	1 1/2" 3C/G2
	0450122	2 LFB6080G2-SS	Threaded	88005488	#5 LL-HK LFB6080/1 G2-SS	Fits 2"	0789546	SXI-HK-5A StemExtension	2" 3C/3CM1/G2
	0422015	2 1/2 LFB6080G2-SS	Threaded	88005490	#6 LL-HK LFB6080/1 G2-SS	Fits 2 1/2"	0789547	SXI-HK-6A StemExtension	2 1/2" 3C/3CM1/G2
	0422016	3 LFB6080G2-SS	Threaded	88005491	#7 LL-HK LFB6080/1 G2-SS	Fits 3"	0789548	SXI-HK-7A StemExtension	3" 3C/3CM1/G2
0422017	4 LFB6080G2-SS	Threaded	88005492	#8 LL-HK LFB6080/1 G2-SS	Fits 4"	0789549	SXI-HK-8A StemExtension	4" 3C/3CM1/G2	
LFB6081G2-SS	0450123	3/8 LFB6081G2-SS	Solder	88005484	#1 LL-HK LFB6080/1 G2-SS	Fits 1/4" - 1/2"	0789542	SXI-HK-1A StemExtension	1/4"-1/2" 3C/3CM1/G2
	0450124	1/2 LFB6081G2-SS	Solder	88005484	#1 LL-HK LFB6080/1 G2-SS	Fits 1/4" - 1/2"	0789542	SXI-HK-1A StemExtension	1/4"-1/2" 3C/3CM1/G2
	0450125	3/4 LFB6081G2-SS	Solder	88005485	#2 LL-HK LFB6080/1 G2-SS	Fits 3/4"	0789550	SXI-HK-9A StemExtension	3/4" 3C/G2
	0450126	1 LFB6081G2-SS	Solder	88005486	#3 LL-HK LFB6080/1 G2-SS	Fits 1" - 1 1/4"	0789551	SXI-HK-10A StemExtension	1" - 1 1/4" 3C/G2
	0450127	1 1/4 LFB6081G2-SS	Solder	88005486	#3 LL-HK LFB6080/1 G2-SS	Fits 1" - 1 1/4"	0789551	SXI-HK-10A StemExtension	1" - 1 1/4" 3C/G2
	0450128	1 1/2 LFB6081G2-SS	Solder	88005487	#4 LL-HK LFB6080/1 G2-SS	Fits 1 1/2"	0789552	SXI-HK-11A StemExtension	1 1/2" 3C/G2
	0450129	2 LFB6081G2-SS	Solder	88005488	#5 LL-HK LFB6080/1 G2-SS	Fits 2"	0789546	SXI-HK-5A StemExtension	2" 3C/3CM1/G2
	0422021	2 1/2 LFB6081G2-SS	Solder	88005490	#6 LL-HK LFB6080/1 G2-SS	Fits 2 1/2"	0789547	SXI-HK-6A StemExtension	2 1/2" 3C/3CM1/G2
	0422022	3 LFB6081G2-SS	Solder	88005491	#7 LL-HK LFB6080/1 G2-SS	Fits 3"	0789548	SXI-HK-7A StemExtension	3" 3C/3CM1/G2



USA: T: (978) 689-6066 • F: (978) 975-8350 • Watts.com
 Canada: T: (888) 208-8927 • F: (888) 479-2887 • Watts.ca
 Latin America: T: (52) 55-4122-0138 • Watts.com