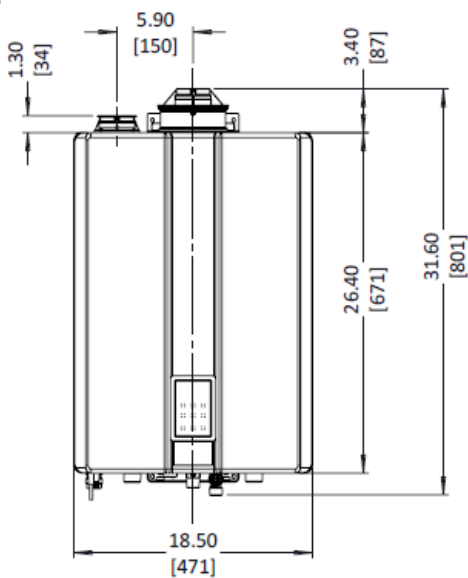




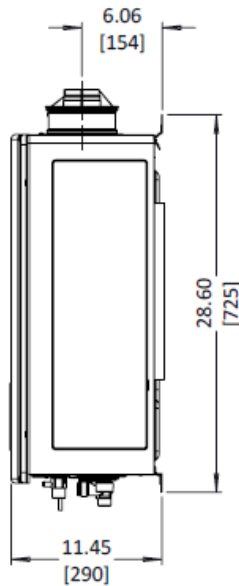
### DIMENSIONS

Measurements: in. (mm)

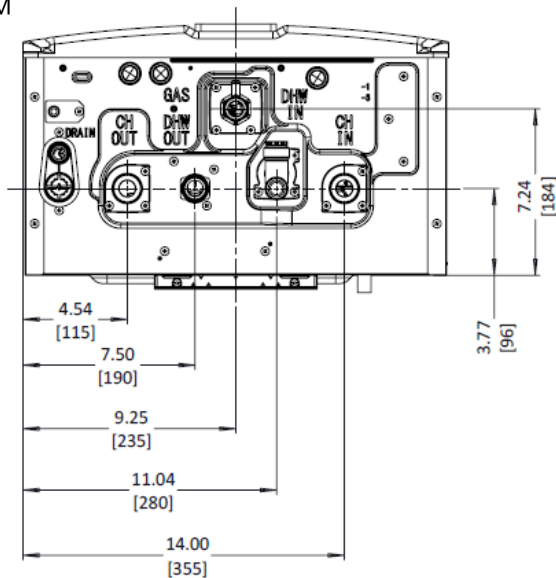
#### FRONT



#### SIDE



#### BOTTOM



### CONDENSING WALL-MOUNTED, GAS-FIRED COMBIBOILER (CENTRAL HEATING AND DOMESTIC HOT WATER)

Models	i060C, i090C, i120C
Appliance Type	Wall-Mounted, Gas-Fired Combi Boiler
Installation	Indoor
Gas Types	Natural Gas (or Propane with field conversion)
Standard Features	<ul style="list-style-type: none"> <li>• Factory Installed Pump</li> <li>• Outdoor Reset Control System with Sensor</li> <li>• Priority/Proportional DHW Standard</li> <li>• Built-in DHW Plate Heat Exchanger</li> <li>• Modulating Wire Mesh Burner</li> <li>• Stainless Steel Water Tube Condensing Heat Exchanger</li> <li>• Direct Vent Sealed Combustion</li> <li>• Approved for Room and Closet Installations</li> </ul>

Included with Purchase	<ul style="list-style-type: none"> <li>• Condensing Gas Boiler with Integrated Pump</li> <li>• Liquid Propane Field Conversion Kit</li> <li>• Wall Mounting Bracket</li> <li>• CH Pressure Relief Valve (30 PSI)</li> <li>• Outdoor Temperature Sensor</li> <li>• Vent Top with Integrated 2 in. PVC or 3 in. x 5 in. Concentric Vent Adapter</li> <li>• Documentation: Installation and Operation Manual, User Manual</li> </ul>
------------------------	---

Optional Accessories	Primary-Secondary Heating Kit (PN: 0783906), Condensate Neutralizer, ScaleCutter, ScaleCutter Refill Cartridge, and Isolation Valve Kit
----------------------	---

Venting Options	<ul style="list-style-type: none"> <li>• Direct Vent (Concentric and Twin Pipe)</li> <li>• Room Air</li> <li>• Ubbink Flex Vent</li> <li>• Materials: Polypropylene, Stainless Steel, PVC, CPVC</li> </ul>
-----------------	--

Refer to the "Rinnai I-Series Boiler Installation and Operation Manual" for approved venting.

### Maximum Equivalent Vent Lengths

Concentric, Twin Pipe, and Room Air:

Vent Sizes	<ul style="list-style-type: none"> <li>• 2 in. PVC</li> <li>• 2 in. (60 mm) PP</li> <li>• 2 in. x 4 in. Concentric</li> </ul>	<ul style="list-style-type: none"> <li>• 3 in. PVC</li> <li>• 3 in. (80 mm) PP</li> <li>• 3 in. x 5 in. Concentric</li> </ul>
Vent Lengths	65 ft (20 m)	150 ft (46 m)

Flex:

Vent Sizes	2 in. PP
Vent Lengths	50 ft (15 m)

45° elbow equivalent to 3 ft (1m). 90° elbow equivalent to 6 ft (2m).



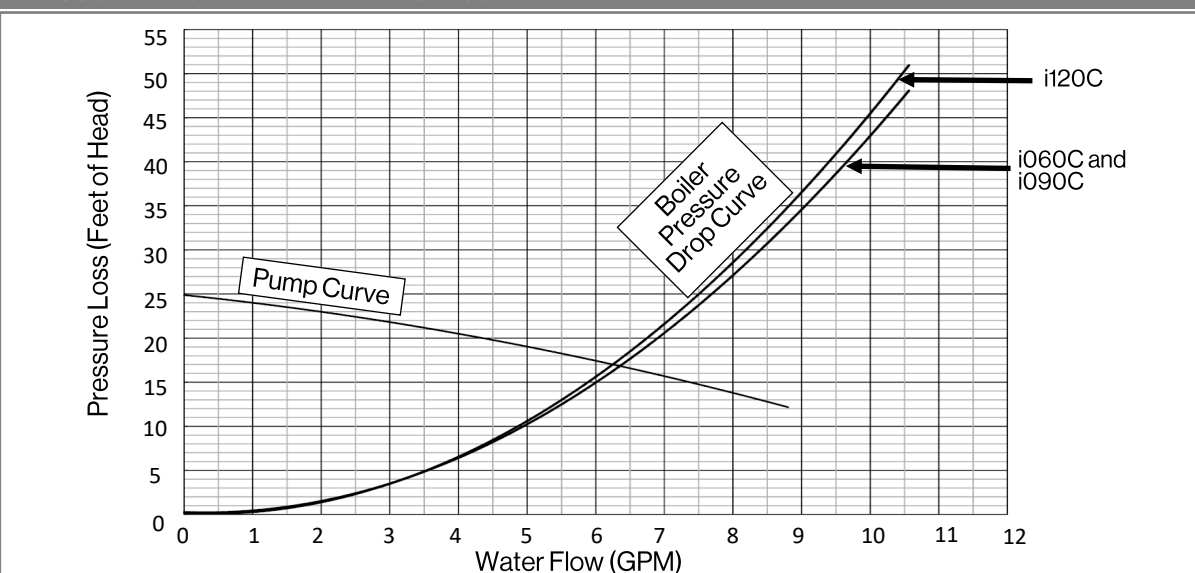
CERTIFIED TO ANSI Z21.13 — CSA 4.9

## TECHNICAL SPECIFICATIONS

Model		i060C	i090C	i120C
Dimensions - w, h, d	Unit	18.5 in. x 26.4 in. x 10.9 in. (471 mm x 671 mm x 276 mm)		
	Shipping	21.7 in. x 33.5 in. x 14.6 in. (552 mm x 852 mm x 370 mm)		
Weight	Unit	73.0 lb (33 kg)		76.1 lb (34.5 kg)
	Shipping	79.4 lb (36 kg)		82.7 lb (37.5 kg)
Appliance Type		Wall-Mounted, Gas-Fired Combi Boiler		
Installation Type		Indoor		
Ignition System		Direct Electronic Ignition		
Heat Exchanger Surface Area		9.3 sq ft		10.9 sq ft
Gas Consumption (Btu/hr)	Minimum	15,000		
	Maximum (CH)	60,000	90,000	120,000
	Maximum (DHW)	160,000		199,000
Heating Capacity		57,000	84,000	112,000
DHW Specification	Minimum Activation Flow Rate	0.4 GPM (1.5 L/min)		
	Minimum Operation Flow Rate	0.26 GPM (1.0 L/min)		
	Maximum Flow Rate	7.9 GPM (30 L/min)		9.8 GPM (37 L/min)
	Flow Rate at 70°F (39°C) rise	4.1 GPM (15 L/min)		5.1 GPM (19 L/min)
Temperature Setting	CH	(Minimum - Maximum) 104°F - 180°F (40°C - 82°C)		
	DHW	(Minimum - Maximum) 98°F - 140°F (37°C - 60°C)		
Water Content	CH	0.75 gal		0.88 gal
	DHW	0.05 gal		
Water Pressure	CH	Minimum: 13 PSI (90 kPa) Maximum: 45 PSI (310 kPa) Recommended: 17-26 PSI (117-180 kPa)		
	Pressure Relief Valve for CH (included with system)	30 PSI (207 kPa)		
	DHW	Minimum: 2 PSI (10 kPa) / Maximum: 150 PSI (1,034 kPa) (Recommend 10-80 PSI for maximum performance)		
Grundfos Pump Model		Grundfos UPS 15-78		
Sound Level		CH: 42 dB(A) DHW: 44 dB(A)		CH: 42 dB(A) DHW: 47 dB(A)
Electrical Data	Normal (CH)	144 W	158 W	158 W
	Normal (DHW)	174 W	174 W	194 W
	Standby	4 W		
	Max Current	6 Amps		
	Fuse	10 Amps x 2		
Gas Supply Pressure <sup>1</sup>	Natural Gas	3.5 in. - 10.5 in. W.C. (0.87 - 2.61 kPa)		
	Propane	8.0 in. - 13.5 in. W.C. (1.99 - 3.36 kPa)		
Electric Connections		AC 120 Volts, 60 Hz		
Turndown Ratio (TDR)		4.0:1	6.0:1	8.0:1
AFUE		95.1	95.9	95.5
Certifications		ANSI Z21.13, CSA 4.9, ASME		

<sup>1</sup> The maximum gas supply pressure must not exceed the value specified by the manufacturer.

## PRESSURE DROP AND WATER FLOW CURVE



## FEATURES

- **Faster, Easier Installation**
  - Compact & lightweight design
  - Convenient mounting bracket
  - NPT threads for connection points
  - More flexible venting options
  - Simplified parameters for commissioning and setup

### ■ Clearances

- Top: 2 in. (51 mm)\*
- Bottom: 12 in. (305 mm)
- Front: 6 in. (152 mm)\*\*
- Back: 0 in.
- Sides: 2 in. (51 mm)
- Vent: 0 in.

\* 0 in. from vent components.  
6 in. (152 mm) for closet installations.

\*\* Clearance for servicing is 24 in. (610 mm) in front of boiler.

### ■ Warranty

Residential:

- Heat Exchanger: 12 Years
- All Other Parts/Components: 5 Years
- Labor: 1 Year

Commercial:

- Heat Exchanger: 5 Years
- All Other Parts/Components: 5 Years
- Labor: 1 Year

### ■ Important

- If the boiler is to be installed in a system that has multiple zones, a Closely Spaced Tee/Manifold Kit is recommended to be installed.

DHW = Domestic Hot Water  
CH = Central Heating  
PRV = Pressure Relief Valve