

### Features

- 8" (203 mm) centers.
- Rigid spout with 11" (279 mm) reach.
- 1/4-turn full brass ceramic valve.
- Vandal-resistant aerator.
- 2-7/16" vandal-proof metal lever handles.
- Drain sold separately.

### Material

- Solid-brass construction with thick chrome plating for rough commercial applications.
- 1.8 gpm (6.8 lpm) maximum flow rate at 60 psi (4.1 bar).

### Installation

- Eccentric inlet shanks for easy installation.

### Recommended Products/Accessories

K-23723 Faucet cleaner



ADA

CSA B651

OBC

### Codes/Standards

ASME A112.18.1/CSA B125.1

NSF/ANSI 61

NSF/ANSI 372

All applicable US Federal and State material regulations

DOE - Energy Policy Act 1992

California Energy Commission (CEC)

ADA

ICC/ANSI A117.1

CSA B651

OBC

### KOHLER® One-Year Limited Warranty

See website for detailed warranty information.

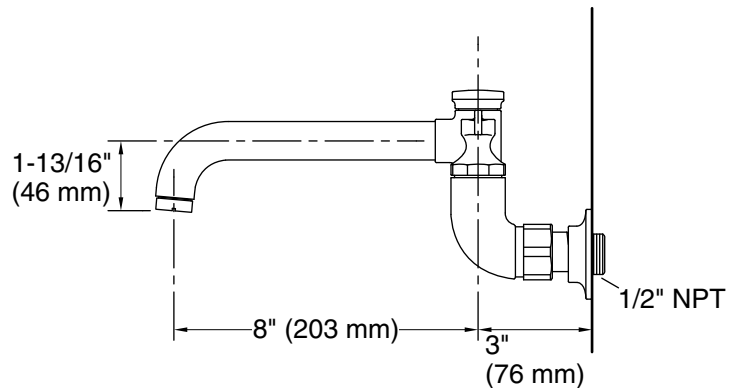
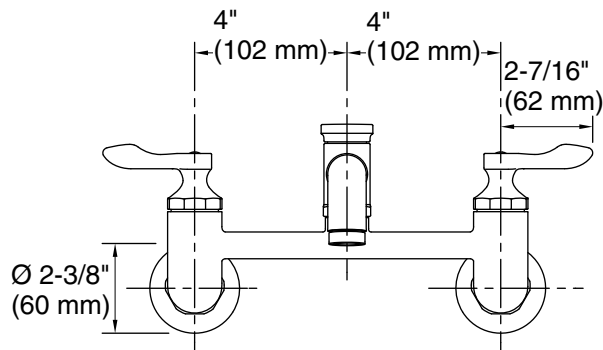
### Available Colors/Finishes

*Color tiles intended for reference only.*

#### Color Code Description



CP Polished Chrome



### Technical Information

All product dimensions are nominal.

#### Faucet:

Flow rate: 1.8 gal/min (6.8 l/min)  
Pressure: 60 psi (4.1 bar)  
Valve body: Cast brass  
Drain included: No

#### Spout:

Spout reach: 11" (279 mm)  
Handle clearance: 2-7/16" (62 mm)

### Notes

Install this product according to the installation instructions.

ADA compliant for handles only.

ADA, OBC, CSA B651 compliant when installed to the specific requirements of these regulations.