



## Solid Plastic Seats Round

Institutional • Commercial • Heavy-Duty

### 300 SERIES



Available in Fire-Retardant.

### DETAILS

#### 300CC

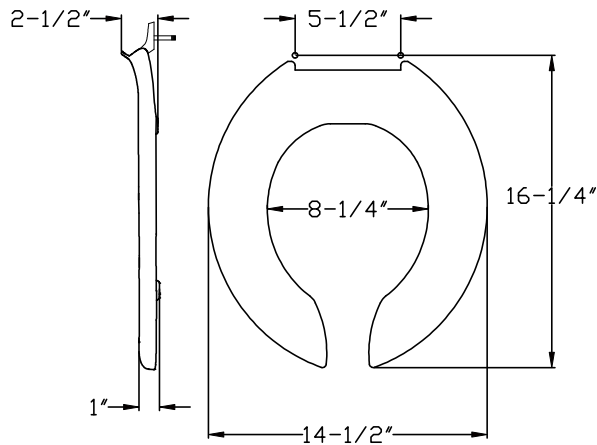
Heavy-duty, open front, less cover for regular bowl. Plated steel check-hinge with gasket and plastic nuts.

#### 300CCSS

Heavy-duty, open front, less cover for regular bowl. Self-sustaining, plated steel check-hinge with gasket and plastic nuts.

#### Standard Features:

- Corrosion-free plated steel hinge posts
- Extended back with concealed hinge
- Integrally-molded, permanent and sanitary color-keyed bumpers
- Corrosion-free hardware
- Withstands cleansers, strong chemicals



Dimensions shown are nominal and may vary within a range of tolerance.