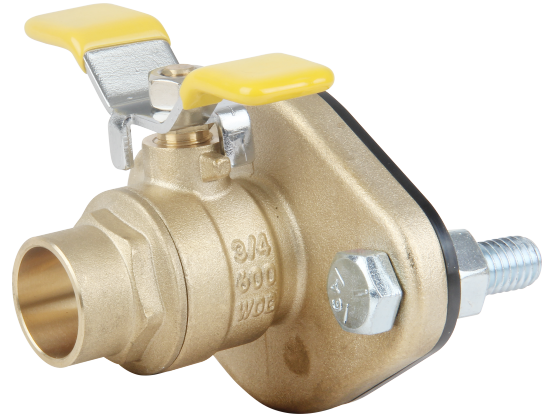
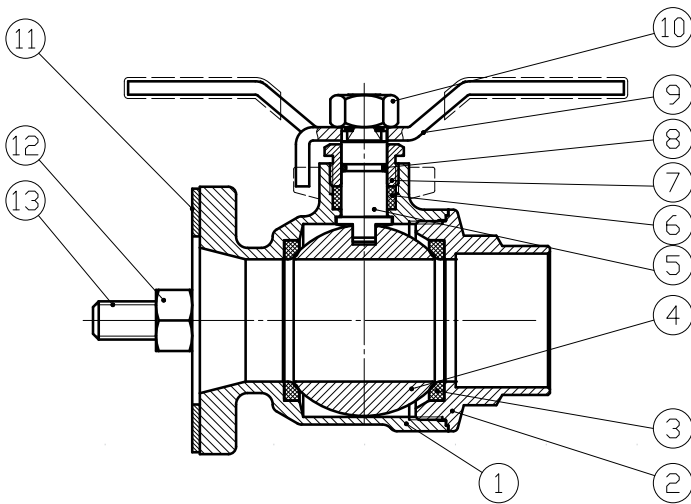


Features

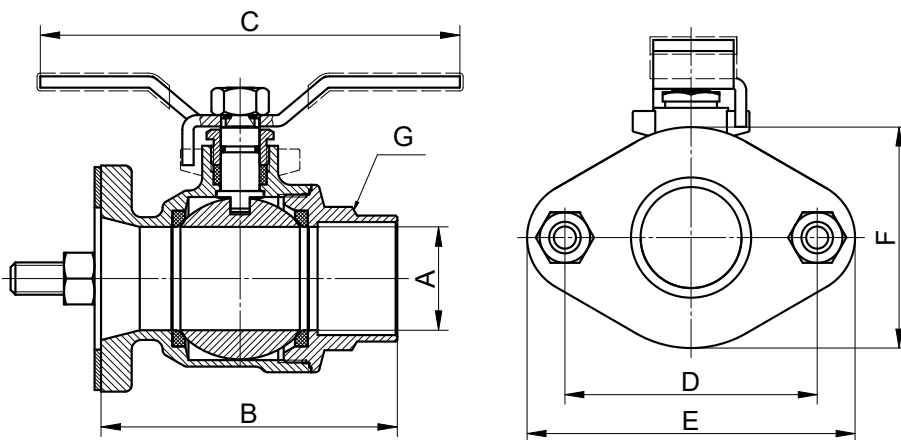
- Sweat x Flange
- Full Port Durable Brass
- Fits Most Circulator Pumps
- Includes Mounting Nuts and Bolts
- Max Operating Pressure Rating: 600 PSI WOG
- Max Temperature: 200°F (93°C) Max
- Size : 3/4" – 1-1/4"



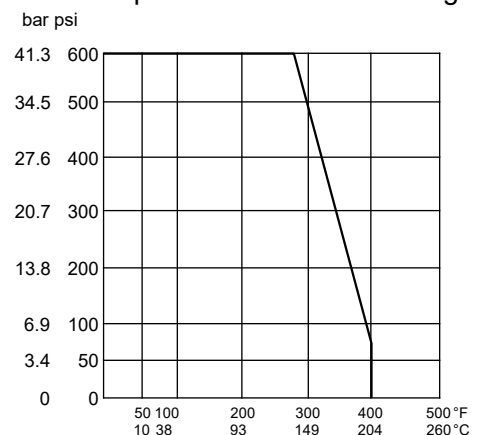
Materials



Item	Part Name	Material	PCS
1	Body	C37700 Brass	1
2	End Cap	C37700 Brass	1
3	Ball Seat	PTFE	2
4	Ball	SS304	1
5	Stem	Brass	1
6	Stem Packing	PTFE	1
7	Packing Nut	Brass	1
8	O-ring	FPM	1
9	Handle	Steel	1
10	Stem Nut	Steel	1
11	Flange Gasket	NBR	1
12	Bolt Nut	Steel	2
13	Bolt	Steel	2



Temperature - Pressure Rating



Dimension

Product#	Size	A		B		C		D		E		F		G
		In.	mm.	In.	mm.	In.	mm.	In.	mm.	In.	mm.	In.	mm.	
4PRO34CFBV	3/4	0.75	Ø19	2.35	59.7	3.31	84	3.15	80	4.09	104	2.76	70	C X C
4PRO1CFBV	1	0.94	Ø24	3.08	78.3	4.09	104	3.15	80	4.09	104	2.76	70	C X C
4PRO114CFBV	1-1/4	1.26	Ø32	3.61	91.8	5.12	130	3.15	80	4.09	104	2.76	70	C X C