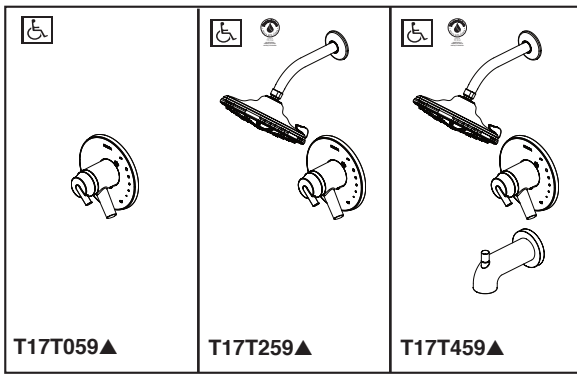




see what Delta can do™

TUB AND SHOWER FAUCET TRIM

- Trinsic® Series
- Valve Only (T17T059)
- Shower Only (T17T259)
- Tub/Shower (T17T459)



Submitted Model No.: _____

Specific Features: _____

FEATURES:

- TempAssure® 17T thermostatic valve cartridge
- H₂Okinetic® Technology shower head

STANDARD SPECIFICATIONS:

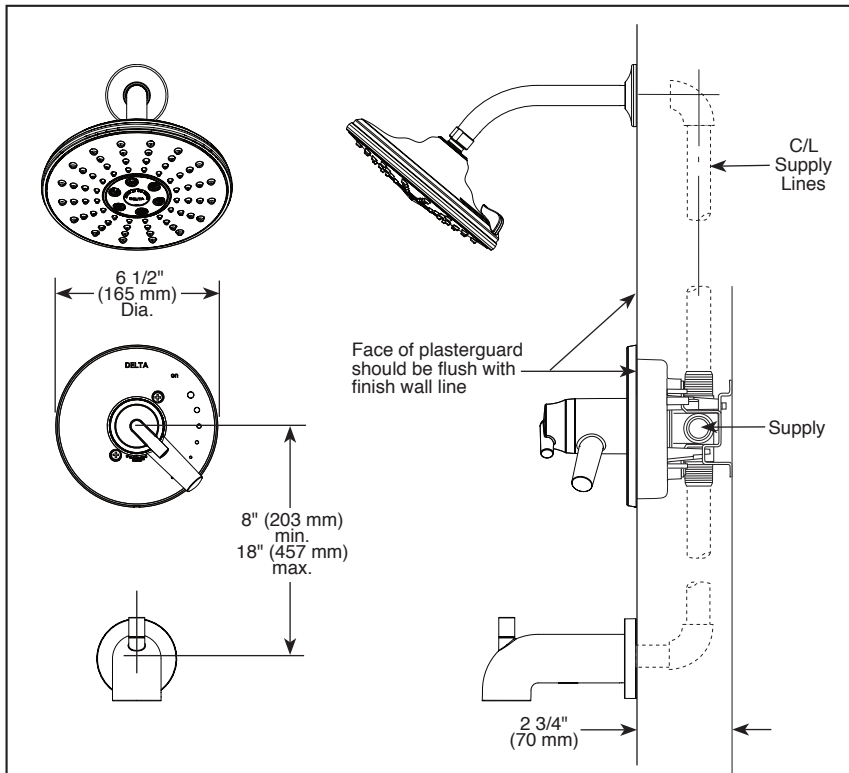
- Thermostatic wax element maintains the outlet temperature to ±3.6°F
- Back-to-back installation capability
- For use with MultiChoice® Universal rough valve body (R10000 Series) ordered separately
- Lever volume control handle; temperature adjustment dial
- Red/blue indicator markings
- Field adjustable to limit handle rotation into hot water zone
- All parts replaceable from the front of the valve
- Available extension kit (RP75136) adds up to 1 3/8" installation depth
- Three setting H₂Okinetic Technology® shower head; 1.75 gpm @ 80 psi, 6.6 L/min @ 550 kPa
- Tub port maximum flow rate 8.6 gpm @ 60 psi with R10000-UNBX
- Shower arm overall horizontal length = 7" (178 mm), including threaded ends

WARRANTY

- Parts and Finish - Lifetime limited warranty; or for commercial purchasers, 10 years for multi-family residential (apartments and condominiums) and 5 years for all other commercial uses, in each case from the date of purchase.
- Electronic Parts and Batteries (if applicable) - 5 years from the date of purchase; or for commercial purchasers, 1 year from the date of purchase. No warranty is provided on batteries.

COMPLIES WITH:

- ASME A112.18.1 / CSA B125.1
- ASSE 1016
- Indicates compliance to ICC/ANSI A117.1 - Valve control only
- EPA WaterSense®



52688▲ 1.75 GPM H₂Okinetic Shower Head

▲ Designate Proper Finish Suffix

RP73371▲ Pull-Up Diverter

RP75136 Available Extension Kit

Delta reserves the right (1) to make changes in specifications and materials, and (2) to change or discontinue models, both without notice or obligation. Dimensions are for reference only. See current full-line price book or www.deltafaucet.com for finish options and product availability.