

SUBMITTAL SHEET

| | |
|-------------------|-------------|
| JOB NAME | ITEM TAG |
| JOB LOCATION | PART NUMBER |
| CONTRACTOR | DATE |
| ENGINEER APPROVAL | DATE |



NO LEAD DZR FORGED BRASS PEX BALL VALVE

T-1960NL Drop Ear & Transition

Dezincification-resistant (DZR) forged brass resists corrosion from exposure to a wide variety of water conditions.

Bottom-loaded, blowout-proof stem features a dual-seal PTFE packing and EPDM rubber O-ring design, assuring positive sealing under a multitude of conditions.

Self-cleaning stainless steel ball resists mineral build-up and scaling.

The drop-ear-drainable configuration, when properly fastened to supports, drastically reduces tubing stress by dispersing the operational twisting force through the valve's body, verses the tubing connections

MNPT configuration permits simple, convenient transitioning from pipe to PEX tubing.

Sweat end configuration permits a convenient transition from copper to PEX tubing.

Available in 1/2", 3/4", & 1".

Working Pressure, Non Shock (PSI)

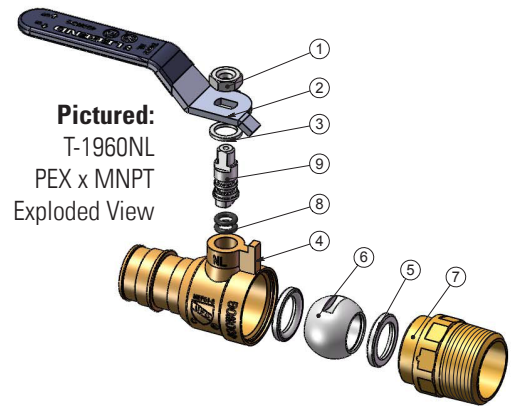
Cold working pressure (CWP): 400 psi*

Saturated steam (WSP): Not suitable for steam applications

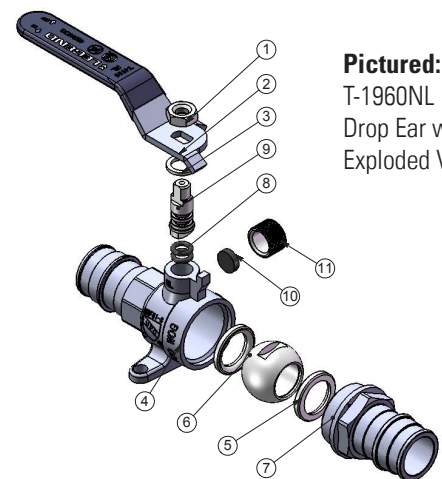
***Caution!** Exceeds the pressure rating of PEX tubing



Pictured:
T-1960NL
PEX x MNPT



Pictured:
T-1960NL
PEX x MNPT
Exploded View



Pictured:
T-1960NL
Drop Ear with Waste
Exploded View

MATERIAL SPECIFICATION

| PART | MATERIAL | SPECIFICATION |
|------------------------|---|--|
| 1 Handle nut | Zinc plated steel | ASME SA6, SA283 Grade C |
| 2 Lever handle | Zinc plated steel | ASME SA6, SA283 Grade C |
| 3 Anti-friction washer | PTFE | FR101 resin |
| 4 Body | DZR lead-free forged brass | UNS Alloy C46500 |
| 5 Seats (2) | PTFE | FR101 resin |
| 6 Ball | DZR, chrome-plated, lead-free forged brass or stainless steel | 1/2" to 1-1/2": UNS Alloy C46500 2": AISI 304 SS |
| 7 End adapter | DZR lead-free forged brass | UNS Alloy C46500 |
| 8 Stem O-rings (2) | DZR lead-free forged brass, chrome-plated | Commercial grade |
| 9 Stem | DZR lead-free forged brass, chrome plated | 1/2" to 2-1/2": UNS Alloy C46500 2": UNS Alloy C36000 |
| 10 Waste cap gasket* | NBR rubber | Commercial grade |
| 11 Waste cap* | Brass | ASTM B16 UNS C36000 |

*Drop-ear with waste configuration only.

Certifications/Listings:

Third-party certified.

NSF/ANSI 14: Plastic piping system components and related materials.

NSF/ANSI 61: Drinking water system components - Health effects.

Standards:

ASTM F1960: Cold expansion fittings with PEX reinforcing rings.

ANSI/ASME B1.20.1: Pipe threads, general purpose (Inch).

ANSI/ASME B16.18: Cast Copper alloy solder joint pressure fittings.

SUBMITTAL SHEET

| | | |
|-------------------|------|-------------|
| JOB NAME | | ITEM TAG |
| JOB LOCATION | | PART NUMBER |
| CONTRACTOR | DATE | |
| ENGINEER APPROVAL | DATE | |

DIMENSIONS - NO STEM EXTENSION

| Size | A (PEX x MNPT) | A (PEX x Sweat) | A (PEX x PEX drop ear w/ waste) | B | C | D | E* | F* | G* |
|------|----------------------|-----------------------|---------------------------------------|------|------|------|------|------|------|
| 1/2" | 2.54 | 2.11 | 2.82 | 1.50 | 0.39 | 2.95 | 0.94 | 0.21 | 1.48 |
| 3/4" | 2.91 | 2.76 | 3.48 | 1.58 | 0.53 | 3.17 | 1.02 | 0.21 | 1.65 |
| 1" | 3.60 | 3.37 | 4.25 | 1.97 | 0.75 | 4.17 | 1.17 | 0.21 | 1.93 |

*Applicable to the drop-ear configuration.

