

For Residential and Commercial Applications

Job Name		Engineer / Architect	
Job Location		Wholesaler	
Submittal Date		Contractor	

PR09/ PR19/ PR39 Multi-Turn Angle Stop – CPVC x Compression

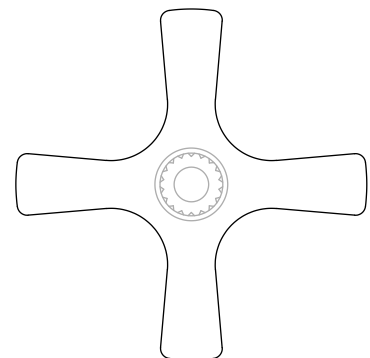
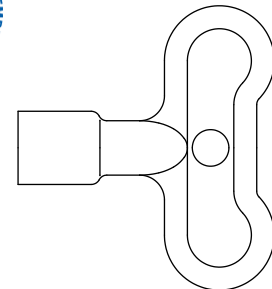
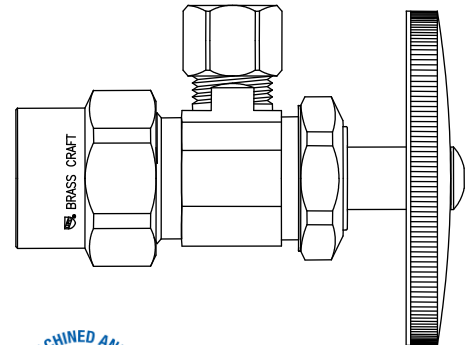
Use: For use in potable water distribution systems. Not intended for recirculating water systems that produce continuous use temperatures above 115° F. For those applications, use our KT™ series ball stops

Design Features:

- **Machined one-piece brass body** provides strength, durability, and long-lasting performance
- **Oval knurled handle** provides a secure grip and smooth on/off operation
- **No Lead**

Operating Specifications:

Temperature: 40°- 140° F
Pressure: 125 PSI maximum



STOP MATERIAL SPECIFICATIONS	
Body	<i>Brass or brass, chrome plated</i>
Stem	<i>POM; brass; or brass, chrome plated</i>
Handle	<i>ABS, chrome plated</i>
Handle Screw	<i>Steel, zinc plated</i>
Bib & Packing Washer	<i>Rubber</i>
Packing Nut	<i>Brass or brass, chrome plated</i>
CPVC Insert	<i>CPVC 23447-B</i>
CPVC Washer	<i>Rubber</i>
CPVC Nut	<i>Brass or brass, chrome plated</i>
Compression Sleeve	<i>Brass</i>
Compression Nut	<i>Brass or brass, chrome plated</i>
Loose Key	<i>Zinc die cast</i>
Loose Key Stem	<i>Brass</i>
Lock Shield	<i>Brass, chrome plated</i>
Cross Handle	<i>Brass, PVD coated</i>
Cross Handle Cap	<i>Brass</i>

This specification and all information contained herein is the confidential and exclusive property of BrassCraft Manufacturing, and shall not be disclosed to others without the written consent of BrassCraft Mfg. This specification must be returned to BrassCraft Mfg if requested.



PR09/ PR19/ PR39 Multi-Turn Angle Stop – CPVC x Compression

Part Listing:

<input type="checkbox"/>	PR09X R	1/2" nom CPVC x 1/4" OD compression, rough brass
<input type="checkbox"/>	PR09X RM	1/2" nom CPVC x 1/4" OD compression, rough brass, 5 pack
<input type="checkbox"/>	PR19X C	1/2" nom CPVC x 3/8" OD compression, chrome plated
<input type="checkbox"/>	PR19X R	1/2" nom CPVC x 3/8" OD compression, rough brass
<input type="checkbox"/>	PR19X BZ	1/2" nom CPVC x 3/8" OD compression, oil rubbed bronze
<input type="checkbox"/>	PR19X NS	1/2" nom CPVC x 3/8" OD compression, satin nickel
<input type="checkbox"/>	PR19X C1	1/2" nom CPVC x 3/8" OD compression, chrome plated, window tray
<input type="checkbox"/>	PR19X CM	1/2" nom CPVC x 3/8" OD compression, chrome plated, 5 pack
<input type="checkbox"/>	PR19X RM	1/2" nom CPVC x 3/8" OD compression, rough brass, 5 pack
<input type="checkbox"/>	PR39X C	1/2" nom CPVC x 1/2" OD compression, chrome plated
<input type="checkbox"/>	PR39X R	1/2" nom CPVC x 1/2" OD compression, rough brass
<input type="checkbox"/>	PR39X CM	1/2" nom CPVC x 1/2" OD compression, chrome plated, 5 pack
<input type="checkbox"/>	PR39X RM	1/2" nom CPVC x 1/2" OD compression, rough brass, 5 pack
<input type="checkbox"/>	SPR19X C	1/2" nom CPVC x 3/8" OD compression, chrome plated, loose key
<input type="checkbox"/>	XPR19X BZ1	1/2" nom CPVC x 3/8" OD compression, oil rubbed bronze, cross handle
<input type="checkbox"/>	XPR19X NS1	1/2" nom CPVC x 3/8" OD compression, satin nickel, cross handle

This specification and all information contained herein is the confidential and exclusive property of BrassCraft Manufacturing, and shall not be disclosed to others without the written consent of BrassCraft Mfg. This specification must be returned to BrassCraft Mfg if requested.

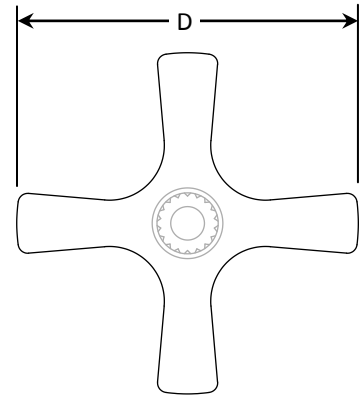
400.77 PR09/PR19/PR39 Multi-Turn Angle Stop - CPVC x Compr REV 02/15

BrassCraft®

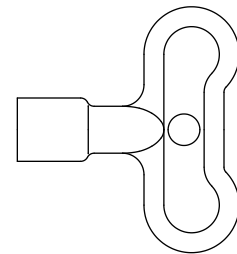
© 2015 BrassCraft Mfg.

PR09/ PR19/ PR39 Multi-Turn Angle Stop – CPVC x Compression

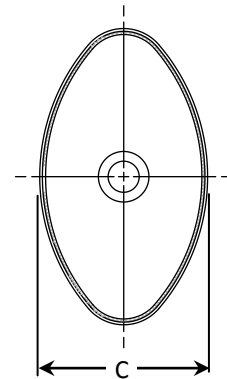
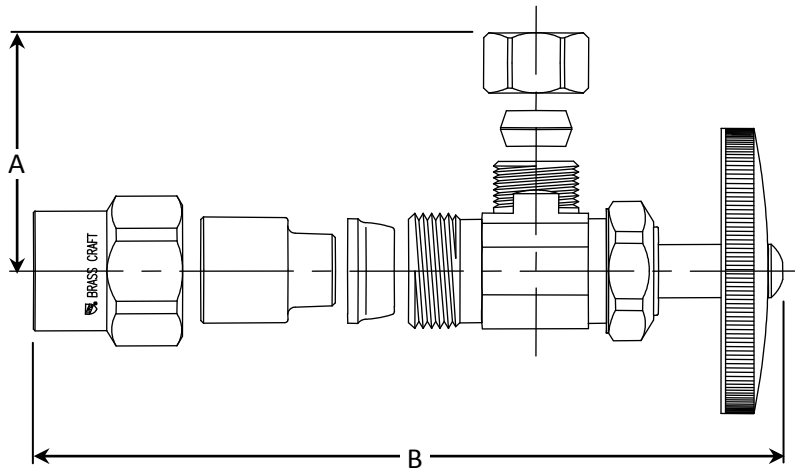
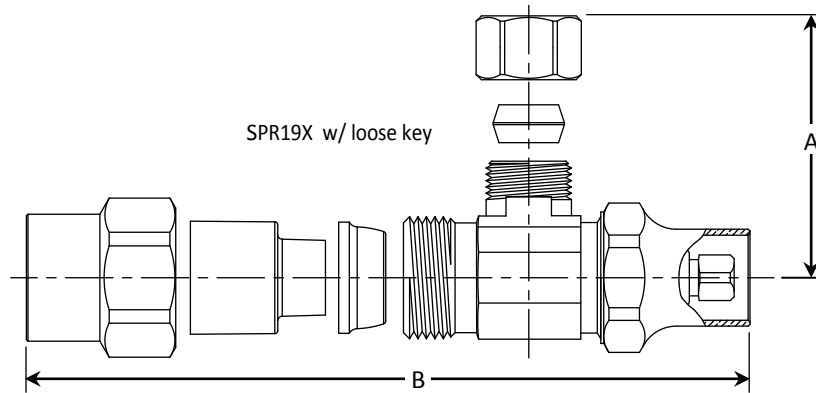
PART DIMENSIONS (Inches)					
Model	DIM. A	DIM. B w/Loose Key	DIM. B w/Handle	DIM. C	DIA. D
PR09X	1.01	3.09	2.75	1.14	2.11
PR19X	1.01	3.09	2.75	1.14	2.11
PR39X	1.15	3.09	2.75	1.14	2.11
SPR19X	1.01	3.09	2.75	1.14	2.11
XPR19X	1.01	3.09	2.75	1.14	2.11



OPTIONAL "CROSS HANDLE"



OPTIONAL "LOOSE KEY"



Listings & Certifications:

- IAPMO listed to ASME A112.18.1 / CSA B125.1 (File # 0645)
- CSA listed to ASME A112.18.1 / CSA B125.1 (File # 204593)
- No Lead product CSA listed to Low Lead Content Certification Program – Plumbing Products Class 6853-01



This specification and all information contained herein is the confidential and exclusive property of BrassCraft Manufacturing, and shall not be disclosed to others without the written consent of BrassCraft Mfg. This specification must be returned to BrassCraft Mfg if requested.

BrassCraft[®]