

Features

- Metal construction.
- One piece, self-contained ceramic disc valve allows both volume and temperature control.
- Temperature memory allows faucet to be turned on and off at any temperature setting.
- 8-1/2" (216 mm) swing spout reach.
- Flexible supplies.
- Matching finish sidespray.
- 1.5 gpm (5.7 l/m) maximum flow rate at 60 psi (4.1 bar).

Recommended Products/Accessories

K-23723 Faucet cleaner

Optional Products/Accessories

1030920 Side Spray Deep Rough-In
1160594 .35 gpm Aerator, Large



ADA

CSA B651

Codes/Standards

ASME A112.18.1/CSA B125.1

NSF/ANSI 61

NSF/ANSI 372

All applicable US Federal and State material regulations

DOE - Energy Policy Act 1992

ADA

ICC/ANSI A117.1

CSA B651

KOHLER® Faucet Lifetime Limited Warranty

See website for detailed warranty information.

Available Colors/Finishes

Color tiles intended for reference only.

Color	Code	Description
-------	------	-------------



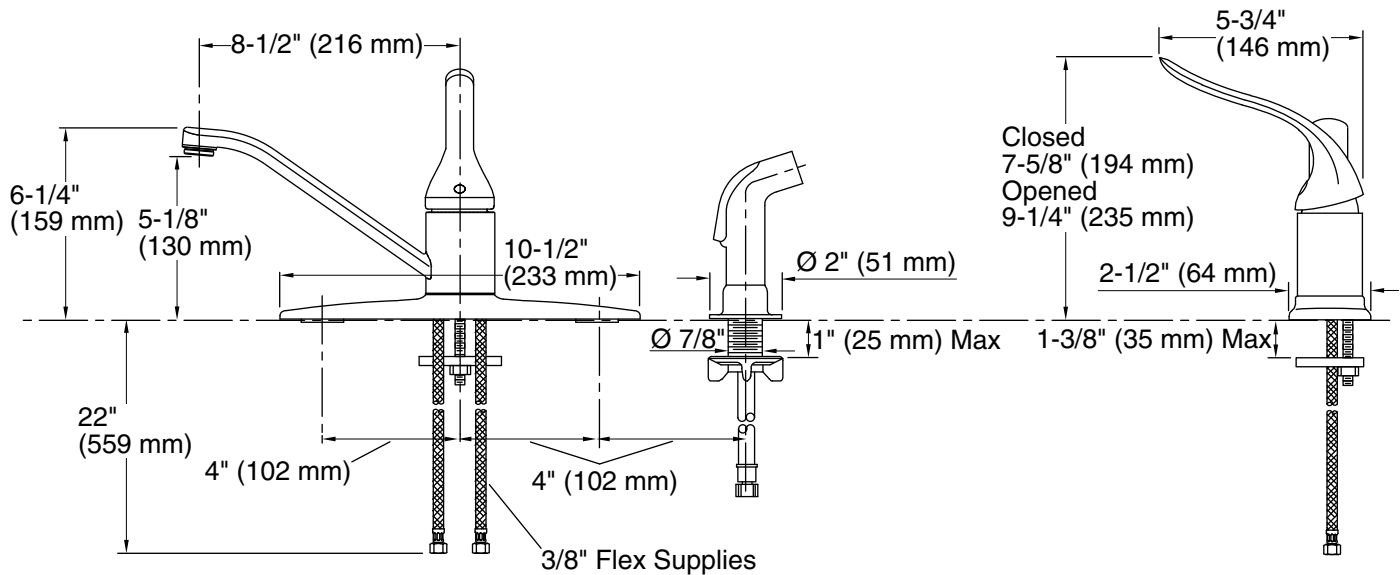
CP Polished Chrome



G Brushed Chrome



BN Vibrant® Brushed Nickel



Technical Information

All product dimensions are nominal.

Faucet:

Flow rate: 1.5 gal/min (5.7 l/min)

Pressure: 60 psi (4.1 bar)

Spout:

Spout reach: 8-1/2" (216 mm)

Notes

Install this product according to the installation guide.

ADA, CSA B651 compliant when installed to the specific requirements of these regulations.