

### FEATURES

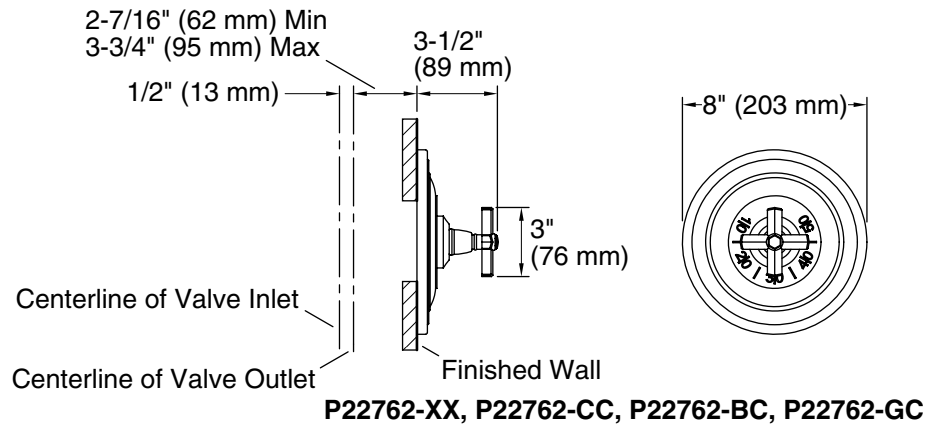
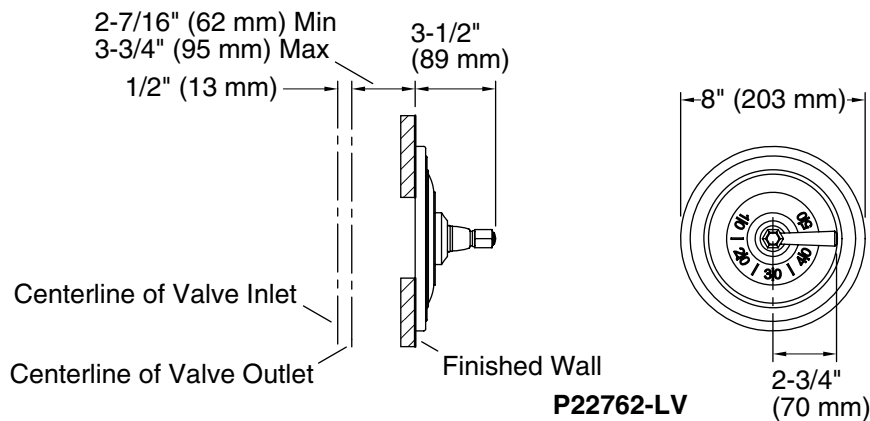
- Solid brass construction for durability and reliability
- Available with lever or cross handles
- Front seal plate assembly
- Allows bather to set precise temperature
- Complements the For Town collection

### CODES/STANDARDS APPLICABLE

- Specified model meets or exceeds the following:
- ASME A112.18.1/CSA B125.1
  - ADA

# P22762

ADA



### SPECIFIED MODEL

Model	Description	Finishes		
P22762-LV	For Town Thermostatic Valve Trim, Lever Handle	<input type="checkbox"/> CP Polished Chrome	<input type="checkbox"/> AD Nickel Silver	<input type="checkbox"/> AG Brushed Nickel
P22762-XX	For Town Thermostatic Valve Trim, Cross Handle	<input type="checkbox"/> CP Polished Chrome	<input type="checkbox"/> AD Nickel Silver	<input type="checkbox"/> AG Brushed Nickel
P22762-CC	For Town Thermostatic Valve Trim, Crystal Cross Handle	<input type="checkbox"/> CP Polished Chrome	<input type="checkbox"/> AD Nickel Silver	<input type="checkbox"/> AG Brushed Nickel
P22762-BC	For Town Thermostatic Valve Trim, Black Cross Handle	<input type="checkbox"/> CP Polished Chrome	<input type="checkbox"/> AD Nickel Silver	<input type="checkbox"/> AG Brushed Nickel
P22762-GC	For Town Thermostatic Valve Trim, Green Cross Handle	<input type="checkbox"/> CP Polished Chrome	<input type="checkbox"/> AD Nickel Silver	<input type="checkbox"/> AG Brushed Nickel
Required Rough-in				
P29511-WS	1/2" Thermostatic Mixing Valve	<input type="checkbox"/> NA		
P29512-WS	3/4" Thermostatic Mixing Valve	<input type="checkbox"/> NA		

We reserve the right to make revisions without notice in the design of products or in packaging unless this right has specifically been waived at the time the order is accepted.