

**For Residential and Commercial Applications**

Job Name		Engineer / Architect	
Job Location		Wholesaler	
Submittal Date		Contractor	

## CS400A/ CS425A/ CS500A/ CS505A    Copper Faucet Supply Kit – Multi-Turn Sweat Angle Stop w/ 5” Extension

**Use:** For use with water in accessible locations only. Not intended for recirculating water systems that produce continuous use temperatures above 115° F. For those applications, use our KT™ series ball stop supply kits.

**Design Features:**

- **Everything you need.** These kits combine our trusted BrassCraft® supply stop, copper riser, extension tube, and escutcheon for an easy-to-install connection
- **No Lead**

**Copper riser provides:**

- **One-piece** construction
- **Cut-to-length** for a clean, professional installation

**Multi-Turn stop provides:**

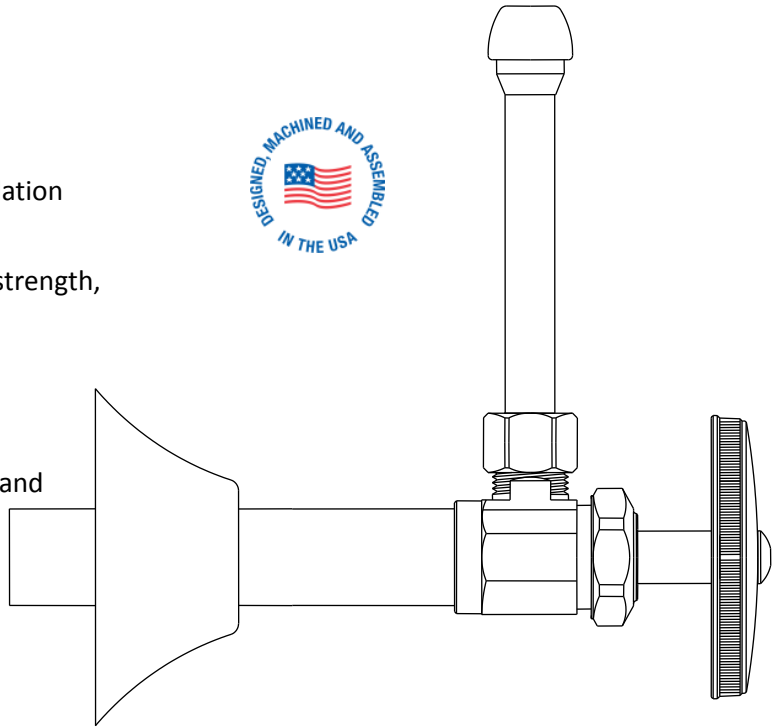
- **Machined one-piece brass body** provides strength, durability, and long-lasting performance
- **Easy-to-remove handle** with screw attachment helps protect against accidental stop operation during rough-ins
- **Oval knurled handle** provides a secure grip and smooth on/off operation

**Operating Specifications:**

**Temperature:** 40° - 140° F  
**Pressure:** 125 PSI maximum

**Tubing Diameter:** 3/8” OD or 1/2” OD

**Standard**



**CONNECTOR MATERIAL SPECIFICATIONS**

<b>Tube</b>	Copper per ASTM B-68
<b>Insert</b>	POM

<b>Escutcheon</b>	Steel, chrome plated
-------------------	----------------------

<b>Loose Key</b>	Zinc die cast
<b>Loose Key Adaptor</b>	Brass or brass, plated
<b>Lock Shield</b>	Brass or brass, plated

**STOP MATERIAL SPECIFICATIONS**

<b>Body</b>	Brass or brass, chrome plated
<b>Stem</b>	Brass; or brass, chrome plated
<b>Handle</b>	Zinc die cast, plated
<b>Handle Screw</b>	Steel, zinc plated
<b>Bib &amp; Packing Washer</b>	Rubber
<b>Packing Nut</b>	Brass or brass, chrome plated
<b>Compression Sleeve</b>	Brass
<b>Compression Nut</b>	Brass or brass, chrome plated
<b>Sweat Extension</b>	Copper, chrome plated

*This specification and all information contained herein is the confidential and exclusive property of BrassCraft Manufacturing, and shall not be disclosed to others without the written consent of BrassCraft Mfg. This specification must be returned to BrassCraft Mfg if requested.*



# CS400A/ CS425A/ CS500A/ CS505A    Copper Faucet Supply Kit – Multi-Turn Sweat Angle Stop w/ 5” Extension

**Compliant**

CONNECTOR MATERIAL SPECIFICATIONS	
<b>Tube</b>	<i>Copper per ASTM B-68</i>
<b>Insert</b>	<i>POM</i>
<b>Escutcheon</b>	<i>Steel, chrome plated</i>
<b>Loose Key</b>	<i>Zinc die cast</i>
<b>Loose Key Adaptor</b>	<i>Brass or brass, plated</i>
<b>Lock Shield</b>	<i>Brass or brass, plated</i>

STOP MATERIAL SPECIFICATIONS	
<b>Body</b>	<i>Compliant brass or compliant brass, chrome plated</i>
<b>Stem</b>	<i>Compliant brass, or Compliant brass, chrome plated</i>
<b>Handle</b>	<i>Zinc die cast, plated</i>
<b>Handle Screw</b>	<i>Steel, zinc plated</i>
<b>Bib &amp; Packing Washer</b>	<i>Rubber</i>
<b>Packing Nut</b>	<i>Brass or brass, chrome plated</i>
<b>Compression Sleeve</b>	<i>Brass</i>
<b>Compression Nut</b>	<i>Brass or brass, chrome plated</i>
<b>Sweat Extension</b>	<i>Copper, chrome-plated</i>

**Standard Part Listing:**

- CS400A C      1/2" nom sweat w/ extension x 3/8" OD compression stop with 3/8" OD tube x 11-1/2" length riser & bell escutcheon, chrome plated
- CS425A C      1/2" nom sweat w/ extension x 3/8" OD compression stop with 3/8" OD tube x 19-1/2" length riser & bell escutcheon, chrome plated
- CS500A C      1/2" nom sweat w/ extension x 1/2" OD compression stop with 1/2" OD tube x 11-1/2" length riser & bell escutcheon, chrome plated
- CS505A C      1/2" nom sweat w/ extension x 1/2" OD compression stop with 1/2" OD tube x 19-1/2" length riser & bell escutcheon, chrome plated
- SCS400A C     1/2" nom sweat w/ extension x 3/8" OD compression stop with 3/8" OD tube x 11-1/2" length riser & bell escutcheon, chrome plated, loose key

**Compliant Part Listing:**

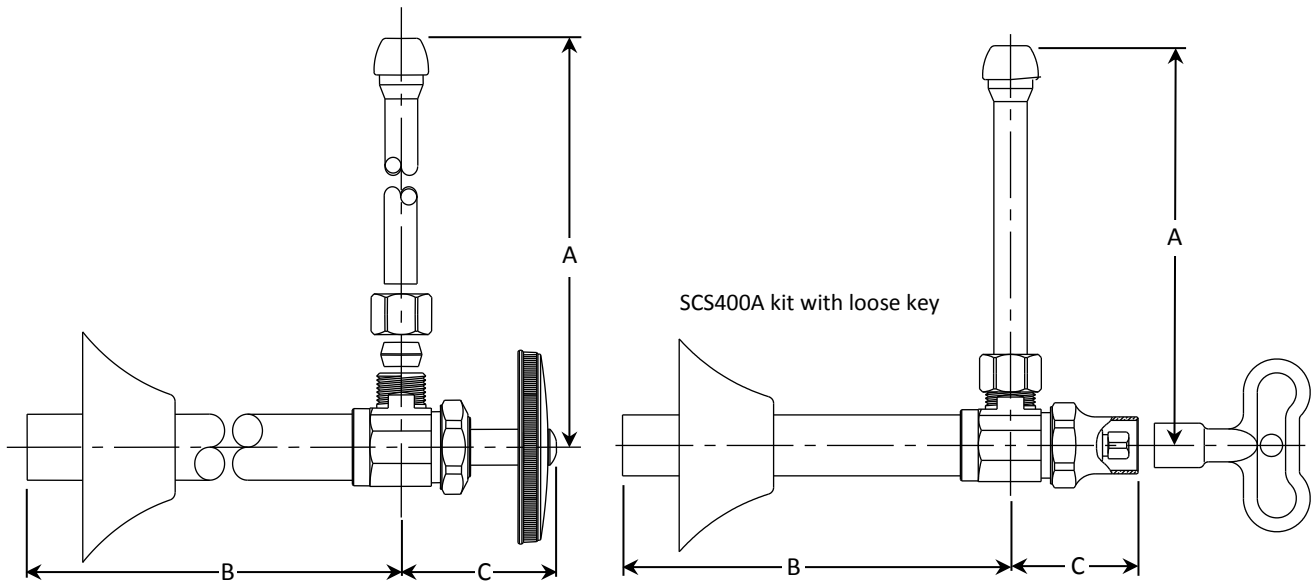
- CS400AX C     1/2" nom sweat w/ extension x 3/8" OD compression stop with 3/8" OD tube x 11-1/2" length riser & bell escutcheon, chrome plated
- CS425AX C     1/2" nom sweat w/ extension x 3/8" OD compression stop with 3/8" OD tube x 19-1/2" length riser & bell escutcheon, chrome plated
- CS500AX C     1/2" nom sweat w/ extension x 1/2" OD compression stop with 1/2" OD tube x 11-1/2" length riser & bell escutcheon, chrome plated
- SCS400AX C    1/2" nom sweat w/ extension x 3/8" OD compression stop with 3/8" OD tube x 11-1/2" length riser & bell escutcheon, chrome plated, loose key

*This specification and all information contained herein is the confidential and exclusive property of BrassCraft Manufacturing, and shall not be disclosed to others without the written consent of BrassCraft Mfg. This specification must be returned to BrassCraft Mfg if requested.*



# CS400A/ CS425A/ CS500A/ CS505A    Copper Faucet Supply Kit – Multi-Turn Sweat Angle Stop w/ 5” Extension

<i>PART DIMENSIONS (Inches)</i>			
<i>Model</i>	<i>DIM A</i>	<i>DIM B</i>	<i>DIM C</i>
CS400A	12.35	5.46	1.70
CS425A	20.35	5.46	1.70
CS500A	12.35	5.46	1.70
CS525A	20.35	5.46	1.70
SCS400A	12.35	5.46	1.46



**Listings & Certifications:**

- IAPMO listed to ASME A112.18.1 / CSA B125.1 (File # 0645)
- CSA listed to ASME A112.18.1 / CSA B125.1 (File # 204593)
- Compliant product CSA listed to Low Lead Content Certification Program – Plumbing Products Class 6853-01



*This specification and all information contained herein is the confidential and exclusive property of BrassCraft Manufacturing, and shall not be disclosed to others without the written consent of BrassCraft Mfg. This specification must be returned to BrassCraft Mfg if requested.*

BrassCraft®