

Location:




S-5502-TRM, S5502TRMTC
Tub/Shower Trim
Specification Submittal



Feature Highlights

- Elm Tub/Shower Trim
- Requires Temptrol® Pressure Balancing Tub/Shower Valve
- Integral diverter control
- Metal lever handle
- 5-7/8" non-diverter tub spout
- 5 mode showerhead
- 2.0 gpm (7.6 L/min) flow restrictor
- Components shall be metal and nonmetallic construction, plated in standard Polished Chrome finish
- Available with TA-10 flow control spindle and T-12A cap assembly for Temptrol valve bodies installed with Test Cap (order p/n S5502TRMTC)

Options/Modifications

- 1.5**  1.5 gpm (5.7 L/min) flow restrictor
- L1** Less showerhead
- L6** Less tub spout
- SBZ** Seasoned Bronze
- STN** Satin Nickel finish

Note: Append appropriate -suffix to model number.

Compliance

- ASME A112.18.1/CSA B125.1

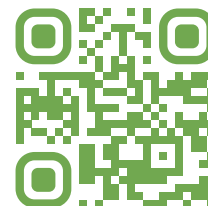


Model Numbers

- S-5502-TRM**
Tub/Shower Trim with integral diverter control, Temptrol Pressure Balancing Tub/Shower Valve ordered separately
- S5502TRMTC**
Tub/Shower Trim with integral diverter control, TA-10 flow control spindle and T-12A cap assembly, must order Temptrol valve with Test Cap

Warranty

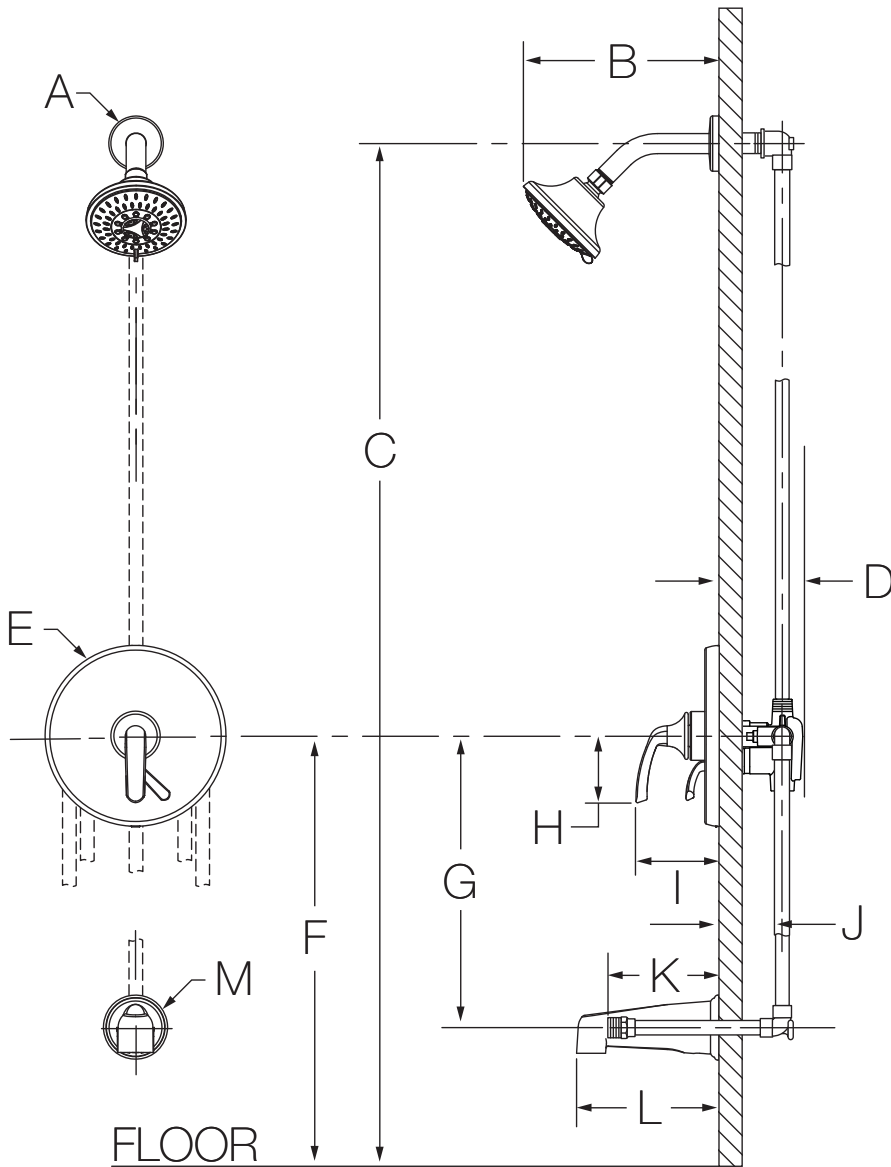
Limited Lifetime - to the original end purchaser in consumer/residential installations.
10 Years - for commercial/industrial installations. Refer to www.symmons.com/warranty for complete warranty information.



Architectural/ Engineering Specification

Symmons _____ With Elm Tub/Shower Trim, requires Temptrol® pressure balancing shower valve, Integral diverter control, metal lever handle, 5-7/8" non-diverter tub spout, 5 mode showerhead, 2.0 gpm (7.6 L/min) flow restrictor, components shall be metal and nonmetallic construction, plated in standard Polished Chrome finish, available with TA-10 flow control spindle and T-12A cap assembly for Temptrol valve bodies installed with Test Cap (order p/n S5502TRMTC). 10 Year commercial Warranty. ASME A112.18.1/CSA B125.1, Complaint. Available options include "1.5 - 1.5 gpm (5.7 L/min) flow restrictor", "L1 - Less showerhead", "L6 - Less tub spout", "SBZ - Seasoned Bronze", "STN - Satin nickel finish".

Dimensions



Measurements	
A	Ø 2-1/4", 57 mm
B	8", 203 mm
C	Ref. 77", 1956 mm
D	3-1/2", 89 mm
E	Ø 7-1/2", 191 mm
F	Ref. 32", 813 mm
G	Ref. 12", 305 mm
H	2-3/4", 70 mm
I	3-1/2", 89 mm
J	Rough-in 2-3/8" ± 1/2", 60 mm ± 13 mm
K	Male 1/2-14 NPT fitting must protrude 4-3/4" (121 mm) from finished wall
L	5-7/8", 149 mm
M	Ø 2-5/8", 67 mm

Notes:

- 1) Valve body and piping not included and shown as reference only.
- 2) Plaster shield (p/n T-176) for dry wall, plaster or other type walls 1/2" or greater.
- 3) All dimensions measured from nominal rough-in (see J as reference).
- 4) Dimensions subject to change without notice.