

Hydraulic Flushometer Push Button Actuator

HY-49-A

Metal Partition (MP Variation)



► Description

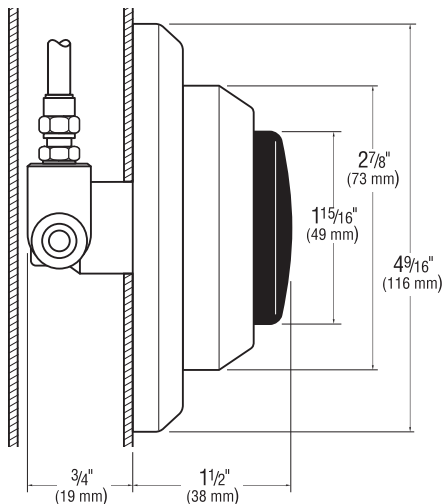
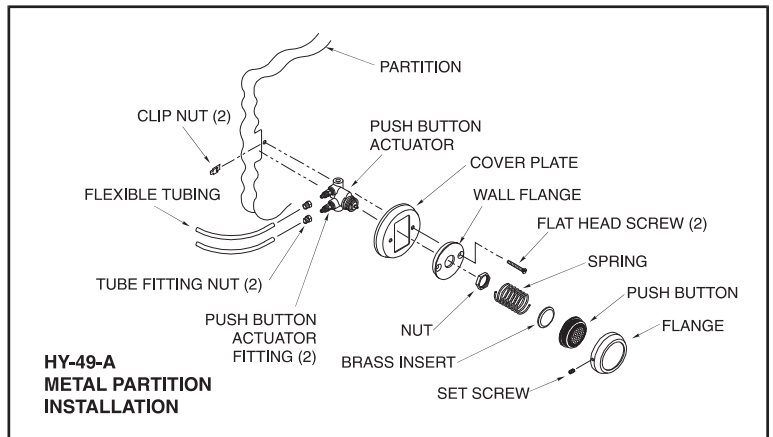
Metal Partition (MP) Push Button Assembly for use with Sloan Series 900 Hydraulic Flushometers. Recommended for installation on 1" (25 mm) metal toilet stall partition.

► Specifications

Hydraulically Operated Push Button Assembly that includes the following features:

- ADA Compliant Non-Hold-Open feature type Actuator
- Large diameter, Spring Loaded Button
- Mounting fasteners for installation on 1" (25 mm) thick metal toilet stall partition
- Two 36" (914 mm) long flexible tubing for connection to Sloan Series 900 Hydraulic Flushometer

See Hydraulic Flushometer Specification pages in this section for details on Hydraulically Operated Flushometers.



This space for Architect/Engineer approval

The information contained in this document is subject to change without notice.

SLOAN

Made in the U.S.A.

SLOAN VALVE COMPANY • 10500 SEYMOUR AVE. • FRANKLIN PARK, IL 60131
PHONE: 1-800 982-5839 • FAX: 1-800 447-8329 • <http://www.sloanvalve.com>