



60" x 32" Vikrell® bath/shower with seat and grab bars,  
left drain  
**71520115**



**Features**

- Tongue-and-groove modular design allows for easy installation during any phase of construction
- Modern subway tile design
- Full-length shelf provides generous storage
- Easy-to-clean, durable high-gloss finish
- Stainless steel grab bars and bath seat
- Innovative Dry-Block™ seal and channeled water containment system form watertight seams

**Material**

- Compression-molded from our exclusive solid Vikrell® material

**Installation**

- Pro4™ installation system features a two-piece back wall design, enabling one-person handling and installation
- Alcove
- Caulk-free installation
- Left drain

**Recommended Products/Accessories**

K-23726 Drain treatment

**Included Components**

- 71524106 60" x 32" Vikrell® bath/shower wall set with Aging in Place backerboards
- 71577103 5-Piece ADA-adaptable grab bar kit
- 71121110 60" x 32" Vikrell® bath, left drain
- 71127104 60" x 32" bath seat



**ADA**

**Codes/Standards**

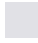

- CSA B45.5/IAPMO Z124
- ASTM E162
- ASTM E662
- ADA
- ICC/ANSI A117.1
- HUD, UM Bulletin 73

**STERLING® Vikrell® or Acrylic Baths and Shower Bases Ten-Year Limited Warranty**  
**STERLING® Grab Bars Ten-Year Limited Warranty**  
**STERLING® Non-Vikrell® Bathing & Showering Seats Ten-Year Limited Warranty**

See website for detailed warranty information.

**Available Colors/Finishes**

*Color tiles intended for reference only.*

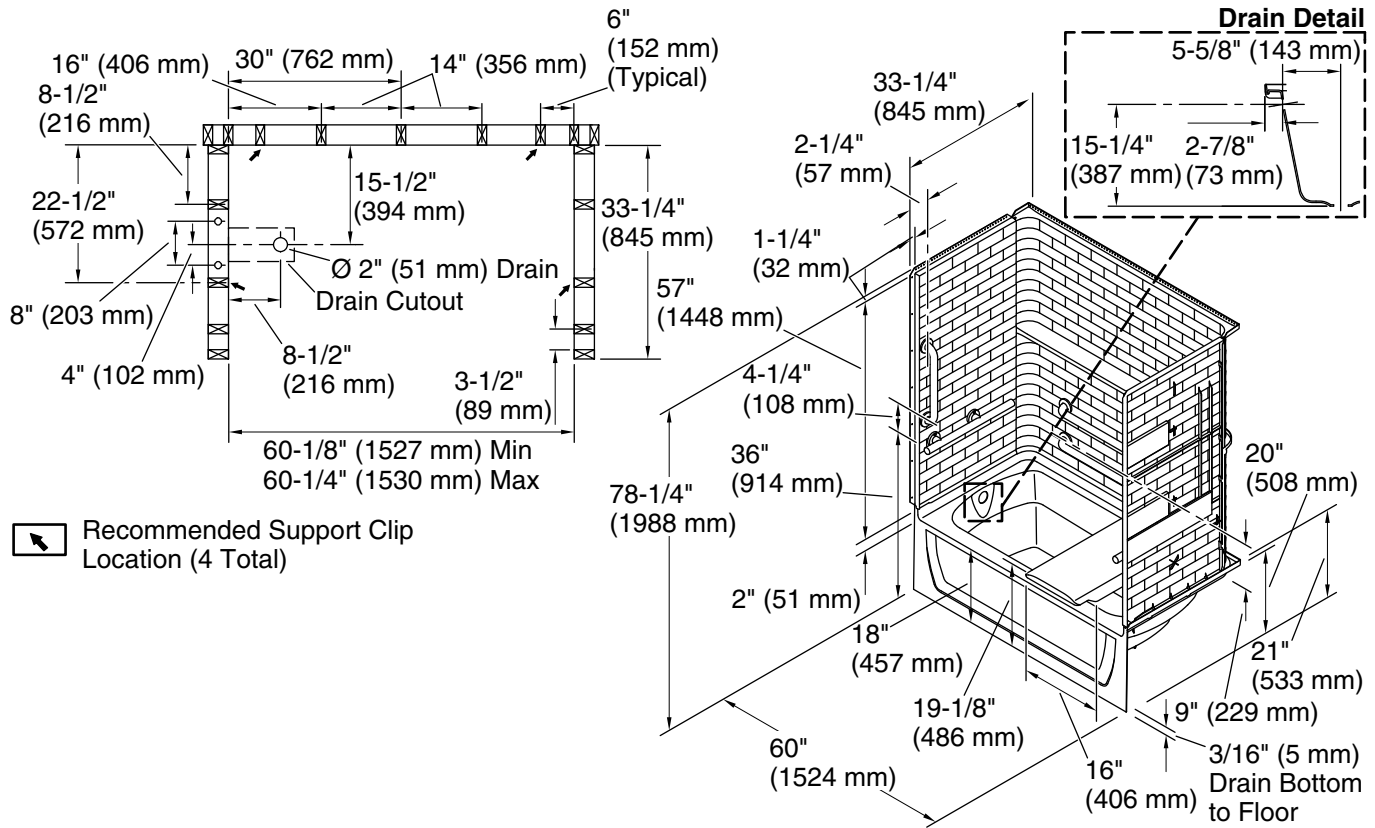
Color	Code	Description
	0	White
	96	Biscuit

1-800-STERLING (1-800-783-7546)

Kohler Co. reserves the right to make revisions without notice to product specifications.

For the most current Specification Sheet, go to [www.sterlingplumbing.com](http://www.sterlingplumbing.com).

7-20-2025 20:59 - US/CA



### Technical Information

All product dimensions are nominal.

Drain location: Left  
 Weight: 180.42 lbs (81.8 kg)  
 Water depth: 13-3/4" (349 mm)  
 Minimum flat for door: 3" (76 mm)

### Notes

Install this product according to the installation instructions.  
 Studs should be positioned roughly as shown.  
 ADA compliant when installed to the specific requirements of these regulations.