

Gas Ball Valve

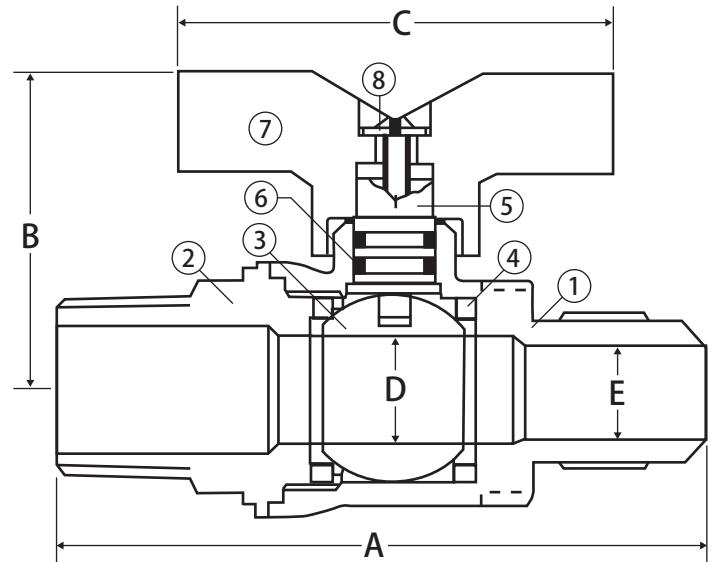


2 Piece • Male x Flare Connection • 600 WOG



T-204

CRN# 0C16887.5469870YTN



Features

- Valve can be locked in the closed position by reversing the handle
- 2 Viton® o-rings
- 100% leak tested
- 100% Made in Italy
- Leakproof stem - Lifetime Warranty

Approvals

- UL Listed
 - YQNZ - Compressed gas shut-off valves
 - YRPV - Gas shut-off valves
 - YSDT - LP gas shut-off valves
 - MHKZ - Manual valves
 - YRBX - Flammable liquid shut-off valves
 - SFJQ - Valves, refrigerant
- CSA Certified
 - ANSI Z21.15 (.5 PSIG)
 - ASME B16.44 (5 PSI)
 - CGA CR91 (5 PSIG)
- ANSI B1.20.1
- MSS SP-110
- Flare Connection in accordance with NFPA 54/ANSI Z223.1

Material Specifications

| No. | Part | Materials |
|-----|-----------------|------------------------------|
| 1 | Body | Brass - CW617N |
| 2 | End Connection | Brass - CW617N |
| 3 | Ball | Chrome Plated Brass - CW614N |
| 4 | Seat (2) | PTFE |
| 5 | Stem | Brass - CW614N |
| 6 | Stem O-ring (2) | Viton® |
| 7 | Handle | Aluminum |
| 8 | Handle Screw | Steel - Geomet® Plated |

Dimensions

| Part No. | Size | A | B | C | D | E |
|----------|--------------------|------|------|------|------|------|
| 101-702 | 1/2" MIP x 3/8" FL | 2.84 | 1.63 | 2.32 | 0.47 | 0.40 |
| 101-703 | 1/2" MIP x 1/2" FL | 3.00 | 1.63 | 2.32 | 0.47 | 0.40 |

Valve Seat Rating

600 WOG

