

EG - Series 1 Through 5 Section / Base Assembly Parts

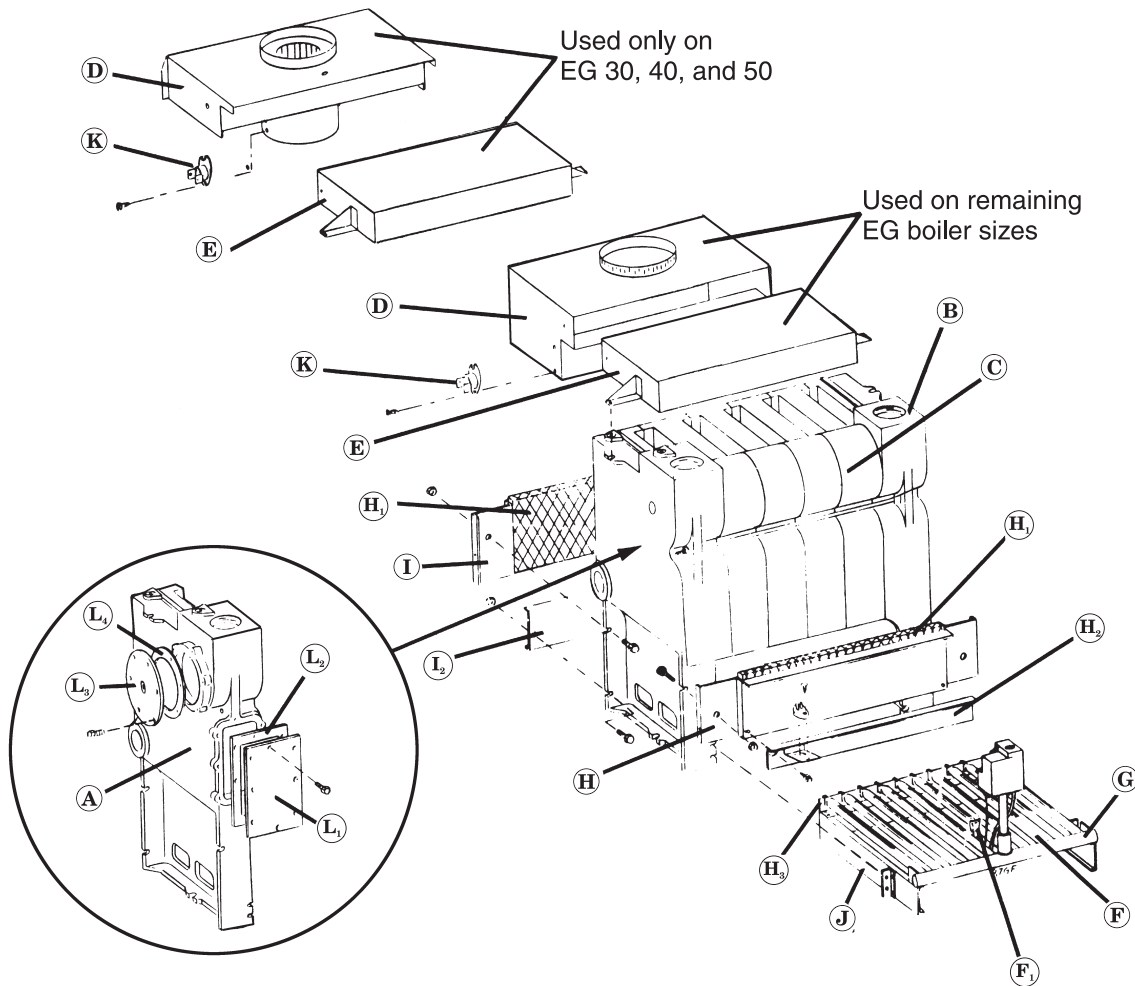


Fig. No.	Part No.	Description	Boiler Series
N/S	321-811-095	Section Assembly, Complete: EG, P-EG 30, 35 Without Heater Opening	1-5
	321-811-100	Section Assembly, Complete: EG, P-EG 35, With Heater Opening (Tankless Heater Not Available On EG-30)	1-5
	321-811-110	Section Assembly, Complete: EG, P-EG 40, 45 With Heater Opening	1-5
	321-811-115	Section Assembly, Complete: EG, P-EG 40, 45 Without Heater Opening	1-5
	321-811-120	Section Assembly, Complete: EG, P-EG 50, 55 With Heater Opening	1-5
	321-811-125	Section Assembly, Complete: EG, P-EG 50, 55 Without Heater Opening	1-5
	321-811-130	Section Assembly, Complete: EG 65 With Heater Opening	1-5
	321-811-135	Section Assembly, Complete: EG 65 Without Heater Opening	1-5
	321-811-140	Section Assembly, Complete: EG 75 With Heater Opening	1-5
	321-811-145	Section Assembly, Complete: EG 75 Without Heater Opening	1-5
A	311-800-014	Left Hand End Section With Heater Opening-(Pattern No.1814)	1-5
	311-800-007	Left Hand End Section Without Heater Opening-(Pattern No.1813)	1-5
B	311-800-029	Right Hand End Section Without Heater Opening-(Pattern No.18118)	1-5
C	311-800-010	Intermediate Section-(Pattern No.1815)	1-5