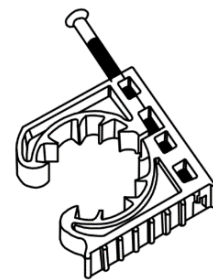
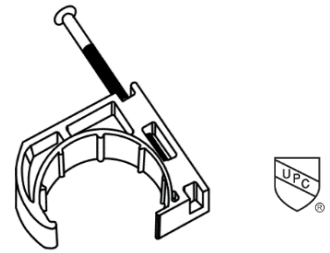
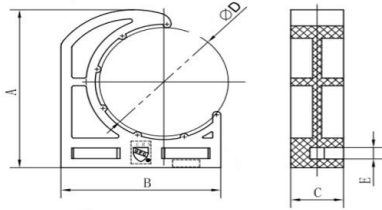
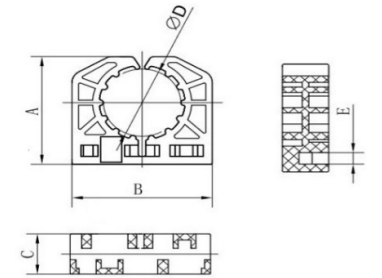


Features:

- Material: Gray polypropylene for half Clamp.
Black high density polyethylene for full Clamp.
 - Provides fast and easy installation and support for all types of copper tube size piping.
 - Eliminates contact between the pipe and framing surface.
 - Insulates against sound.
 - Can be used with hydronic heating systems.
 - Available in half and full clamp styles.
 - Directions For Use: Open clamp and snap over pipe or tube. Slide into position and hammer into place. Barbed shank nail will set clamp and ridges will hold securely.
- Check with local codes to ensure proper spacing requirements for piping support.



All dimensions in inches

Part#	Description	Drawing	Dimensions				
			A	B	C	D	E
4PRO12HCWN	1/2" Half Clamp W/Barbed Nail		1.043	0.827	0.374	0.626	0.118
4PRO34HCWN	3/4" Half Clamp W/Barbed Nail		1.339	1.130	0.374	0.874	0.118
4PRO1HCWN	1" Half Clamp W/Barbed Nail		1.614	1.339	0.461	1.126	0.118
4PRO12FCWN	1/2" Full Clamp W/Barbed Nail		1.016	1.150	0.374	0.626	0.118
4PRO34FCWN	3/4" Full Clamp W/Barbed Nail		1.358	1.437	0.433	0.874	0.118
4PRO1FCWN	1" Full Clamp W/Barbed Nail		1.654	1.823	0.492	1.126	0.118