

# Plastic foam staples

## Project information

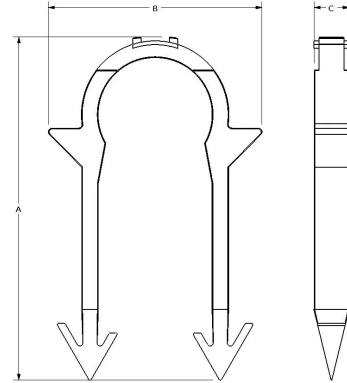
|                                |                 |
|--------------------------------|-----------------|
| Job name:                      | Location:       |
| Engineer:                      | Date submitted: |
| Contractor:                    | Submitted by:   |
| Manufacturer's representative: | Approved by:    |

## Technical data

Material Plastic

## Product information and application use

Use Plastic Foam Staples with Manual Foam Stapler (E6025075) to secure  $\frac{3}{8}$ ",  $\frac{1}{2}$ " and  $\frac{5}{8}$ " Uponor PEX to rigid foam insulation.



| Part name                             | Part no. | A [Inch] | B [Inch] | C [Inch] | Weight per UOM [lbs/UOM] |
|---------------------------------------|----------|----------|----------|----------|--------------------------|
| 1 1/2" Plastic Foam Staples, 300/pkg. | A7015050 | 1.667    | 1.424    | 0.232    | 0                        |
| 2 1/2" Plastic Foam Staples, 300/pkg. | A7015075 | 2.287    | 1.424    | 0.232    | 0                        |

## Installation

Use 1 1/2" Plastic Foam Staples (A7015050) for 1" foam; use 2 1/2" Plastic Foam Staples (A7015075) for 1 1/2" or thicker foam. Refer to the Uponor Radiant Floor Heating Installation Handbook for more information.

## Related applications

Radiant Heating and Cooling Systems  
Permafrost Protection Systems  
Turf Conditioning Systems

## Codes

## Standards

## Listings

-

## Footnotes

## Contact information

Uponor Inc.  
5925 148th Street West  
Apple Valley, MN 55124  
T 800.321.4739  
F 952.891.2008

Uponor Ltd.  
6510 Kennedy Road  
Mississauga, ON L5T 2X4  
T 888.594.7726  
F 800.638.9517

-