

## Product Features

- Made of PVC Plastic
- Snap-in strainer
- 4-1/4" OD stainless steel grate
- Solvent weld outlet fits 2" Schedule 40 DWV pipe
- Wrench included



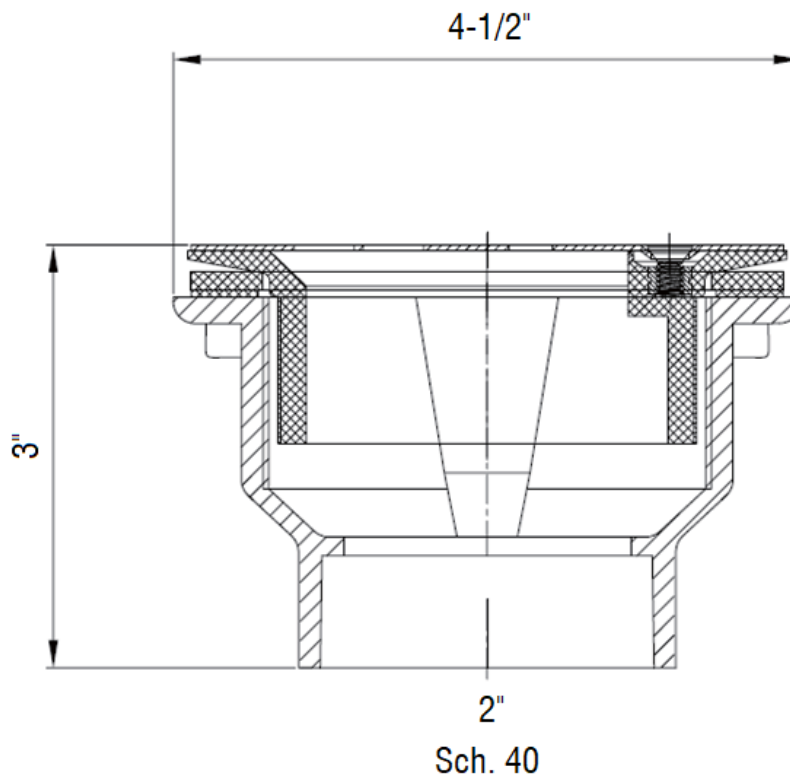
4PR02PVCSD

## Model Numbers

4PR02PVCSD

2" PVC Solvent Weld Shower Drain with Receptor Base

## Dimensions



Job Name			
Date		Quantity	
Model Specified		Customer	
Architect/engineer		Contractor	