

**Features**

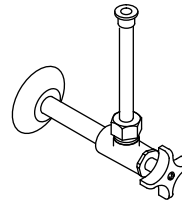
- Brass construction
- Compression valve
- Four-arm handle stop
- Flange

**Codes/Standards Applicable**

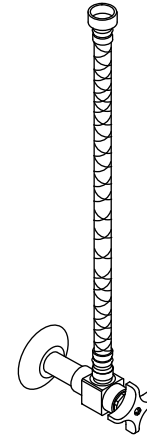
Specified model meets or exceeds the following:

- ASME A112.18.1/CSA B125.1
- NSF 61
- All applicable US Federal and State material regulations

**ANGLE SUPPLY WITH STOP, SINGLE**  
**K-7653**  
**ALSO K-7654**



**K-7653**



**K-7654**

**Colors/Finishes**

- CP: Polished Chrome
- PB: Vibrant® Polished Brass
- Other: Refer to Price Book for additional colors/finishes

**Specified Model**

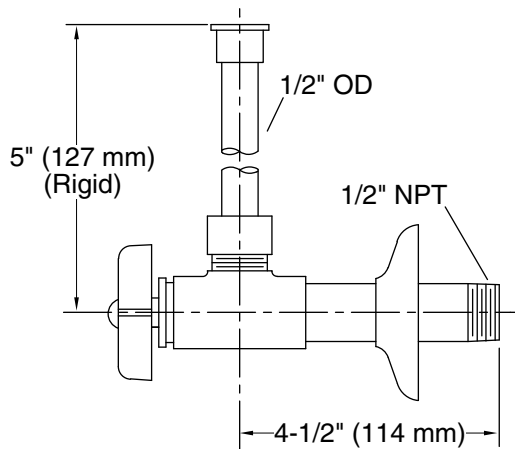
Model	Description	Colors/Finishes		
K-7653	Angle supply with stop, single - rigid connection	<input type="checkbox"/> CP	<input type="checkbox"/> PB	<input type="checkbox"/> Other_____
K-7654	Angle supply with stop, single - flexible hose connection	<input type="checkbox"/> CP		

**Product Specification**

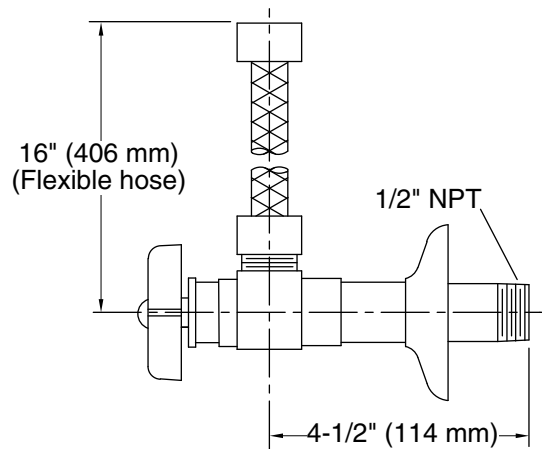
Angle supply with stop shall be made of brass construction. Product shall include a compression valve, flange, four-arm handle stop. Supply (single) shall be Kohler Model K-\_\_\_\_\_-\_\_\_\_\_.

## Installation Notes

Install this product according to the installation guide.



**K-7653**



**K-7654**

## Product Diagram