

### Features

- For use with K-T30924 or K-30925 Aquifer® 4-in-1 beverage faucets (sold separately)
- Provides chilled, ambient, near boiling, and carbonated water
- Reduces chlorine taste and odor
- Box includes: Undercounter beverage system, one filter
- Compatible with screw in type, 60-liter TR21-4 thread CO2 bottles (sold separately)

### Material

- High-impact plastic construction

### Installation

- Undercounter
- Quarter-turn twist cartridge for easy installation and replacement

### Recommended Products/Accessories

- K-34114 4-in-1 replacement filter
- K-T30924 4-in-1 tall arc beverage faucet
- K-T30925 4-in-1 short arc beverage faucet

### Optional Products/Accessories

- K-30928 4-in-1 grated drain

### Included Components

- K-34114 4-in-1 replacement filter

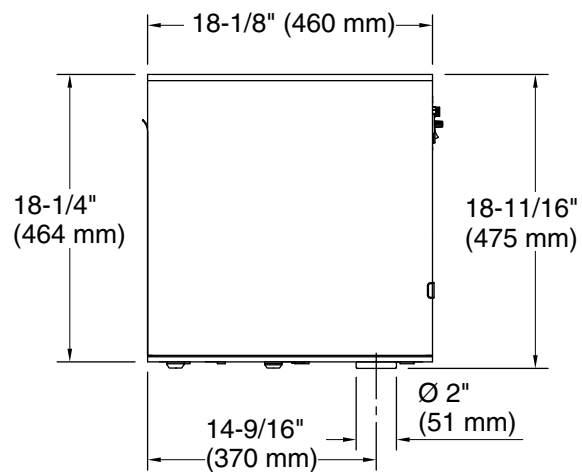
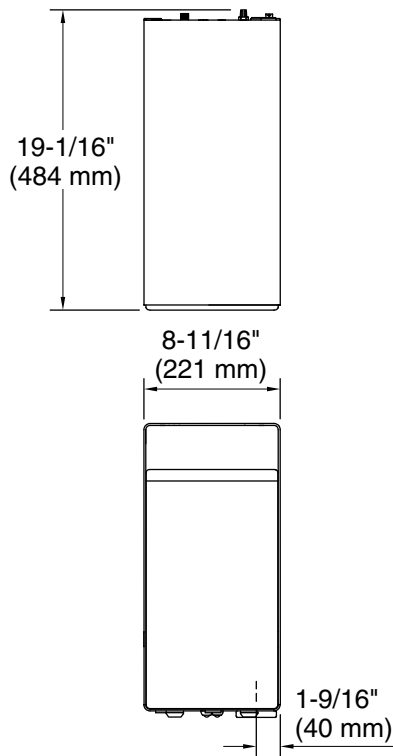


### Codes/Standards

- CSA B483.1
- NSF/ANSI 42
- NSF/ANSI/CAN 372
- ENERGY STAR®
- cUL Listed

### KOHLER® Water Filter Systems Five-Year Limited Warranty

See website for detailed warranty information.



### Required Electrical Service

One dedicated circuit required.

120 V, 10 A, 60 Hz

### Technical Information

All product dimensions are nominal.

Power source: Plug - AC, included

### Notes

Install this product according to the installation instructions.

2-3/8" (60 mm) required behind machine for proper ventilation.

Ventilation hole cutout template included with machine.