

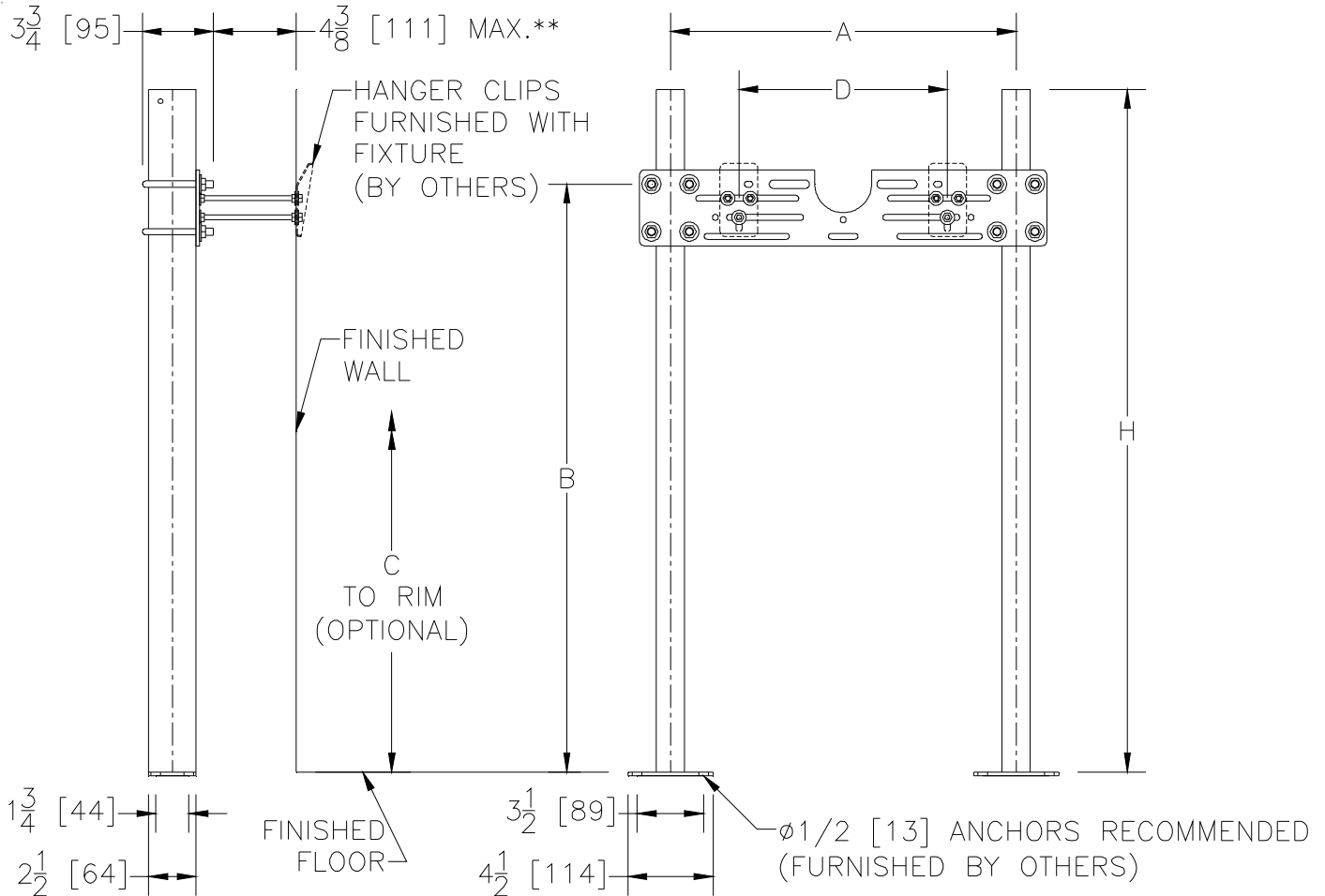


# Z1221 PLATE TYPE SYSTEM WALL URINALS

SPECIFICATION SHEET

TAG \_\_\_\_\_

Dimensional Data (inches and [ mm ]) are Subject to Manufacturing Tolerances and Change Without Notice



\*\* WITH STANDARD STUD LENGTH OF 6 [152]

Product No.	Approx. Wt. Lbs. [kg]
Z1221	50 [23]

**ENGINEERING SPECIFICATION:** ZURN Z1221 Wall urinal support system with top support plate. Complete with Dura-Coated rectangular steel uprights with welded feet, adjustable support plate, and mounting fasteners.

**OPTIONS** (Check/specify appropriate options)

**PREFIXES**

\_\_\_ Z Dura-Coated System with Universal Plate\*

**SUFFIXES**

___ -CB Carrier Bank	___ -SL Stud Length Greater Than 6 [152] (Specify Length)
___ -CU Floor to Ceiling Upright	___ -58 Flush Valve Supply Support
___ -D Back to Back System	
___ -EZ Easy to Install Assembly	

Note: Dimensional data for letter dimensions depends upon fixture type and manufacturer. See Zurn Carrier/Fixture Rough-In Information at [www.zurn.com](http://www.zurn.com) for specific rough-in dimensions.

\*REGULARLY FURNISHED UNLESS OTHERWISE SPECIFIED

<b>REV. E</b>	<b>DATE: 11/4/10</b>	<b>C.N. NO. 120243</b>
<b>DWG. NO. 58849</b>	<b>PRODUCT NO. Z1221</b>	