



ST31

SUBMERSIBLE SUMP/EFFLUENT PUMP

FEATURES

Corrosion-resistant construction

Cast iron body

Thermoplastic impeller and cover

Replaceable power cord

Bearings: Upper sleeve and lower heavy duty ball bearing construction.

Built-In Vent Hole: Prevents air-binding with no added labor.

Motor is permanently lubricated for extended service life and is powered for continuous operation. All ratings are within the working limits of the motor.

Complete unit is heavy duty, portable and compact.

Mechanical Seal: carbon/ceramic/Buna/stainless steel.

Stainless steel fasteners and stainless steel pipe plug.

APPLICATIONS

Specially designed for the following uses:

- Basement draining
- Water transfer
- Dewatering
- Effluent Transfer

SPECIFICATIONS

Pump:

- Discharge size: 1½" NPT
- Capacities: to 50 GPM.
- Maximum head: to 26 feet.
- Temperature: 104°F (40°C) maximum, continuous when completely submerged.
- Solids handling: ½" maximum sphere.
- Automatic models include a float switch.
- Manual model available.
- Pumping range: see performance chart or curve below.

AGENCY LISTINGS



Tested to UL 778 and CSA 22.2 108 Standards
By Canadian Standards Association
File #LR38549

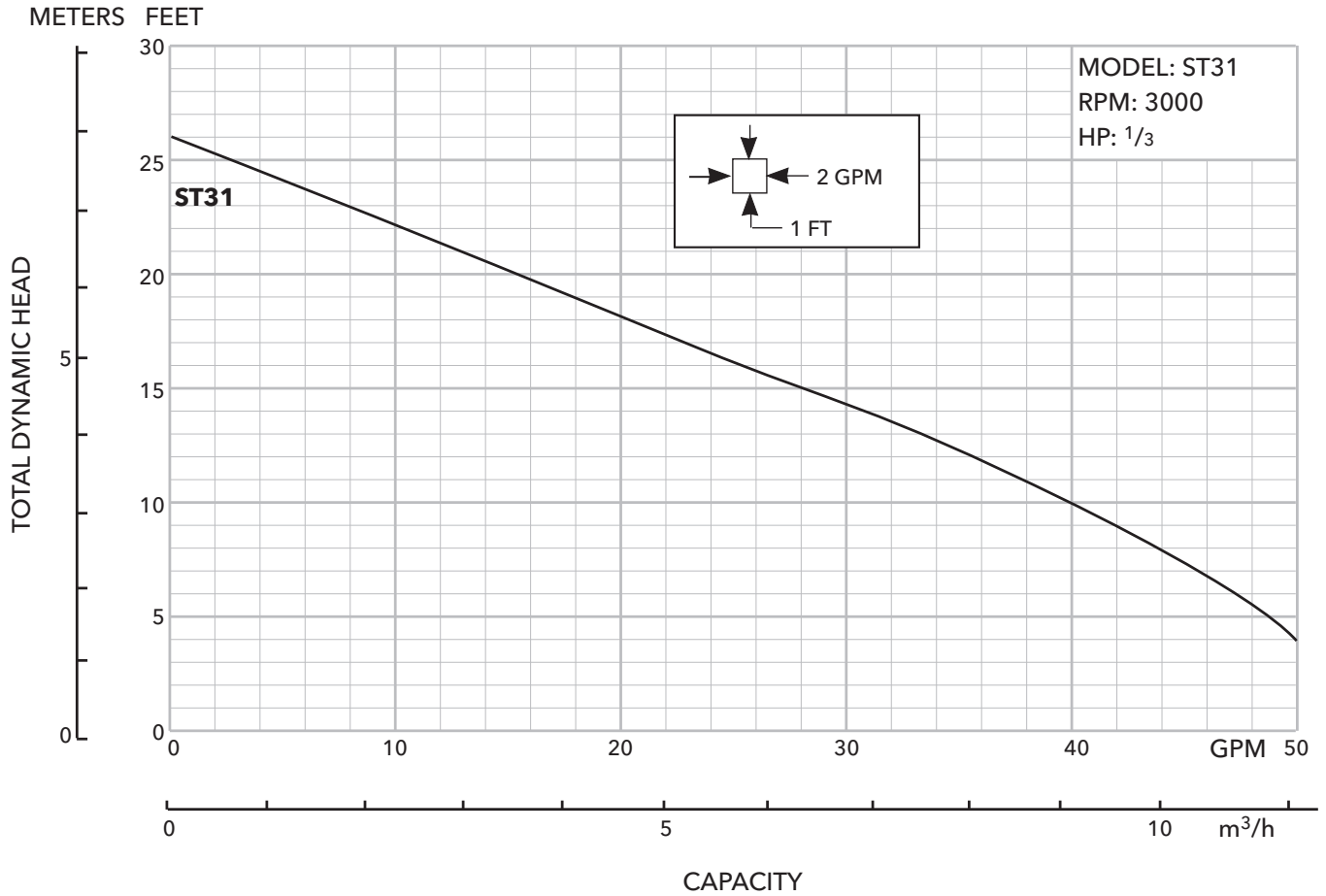
PERFORMANCE RATINGS

ST31

Total Head (feet of water)	GPM	GPH
4	50	3,000
10	40	2,340
15	28	1,680
20	15	900

MOTOR

- ST31: ⅓ HP, 115 V, 60 Hz, single phase, 3000 RPM, 12.0 amps maximum.
- Built-in thermal overload protection with automatic reset.
- Class B insulation
- Oil filled design
- High strength carbon steel shaft
- Power cord: Quick disconnect 10 foot standard length, heavy duty 16/3 SJTW with NEMA 5-15 P three prong grounding plug, 115V.

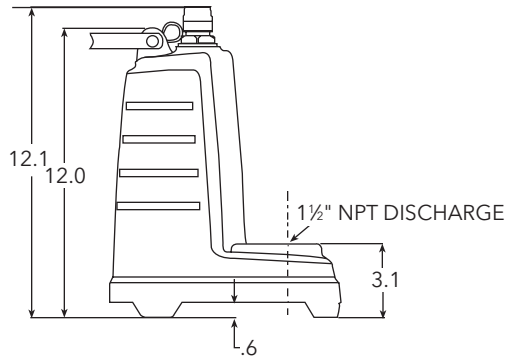
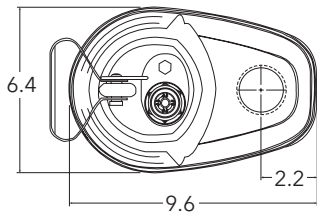


MODEL INFORMATION

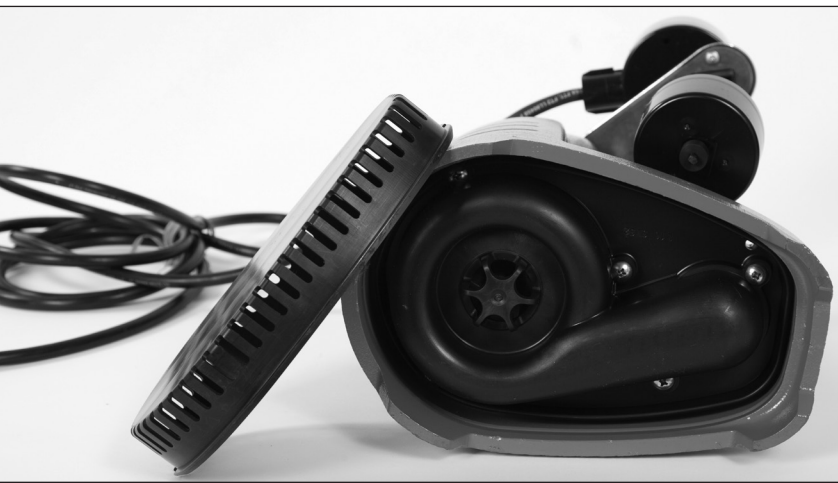
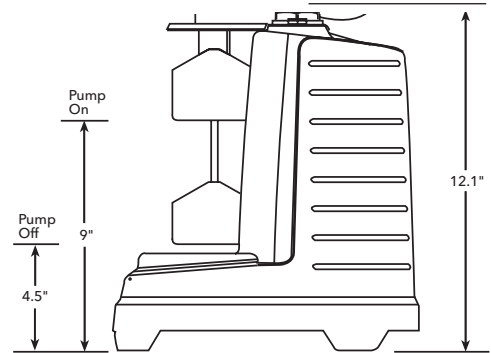
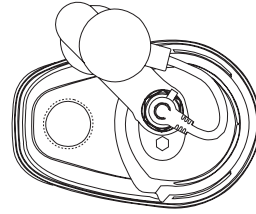
Order No.	HP	Volts	Amps	Minimum Circuit Breaker	Phase	Float Switch Style	Cord Length	Discharge Connection	Minimum On Level	Minimum Off Level	Minimum Basin Diameter	Maximum Solids Size	Shipping Weight lbs/kg	
ST31AV	1/3	115	12.0	20	1	Built-In Vertical	10'	1 1/2"	8"	3.5"	11"	1/2	29 / 13.2	
ST31A1						Built-In Wide Angle			14"	7"				18"
ST31M						Plug / No Switch			Manual	Manual				11"
ST31P1						Piggyback Wide Angle			14"	7"				18"
ST31PV						Piggyback Vertical			8"	3.5"				11"

DIMENSIONS

(All dimensions are in inches. Do not use for construction purposes.)



VERTICAL FLOAT SWITCH



ADDITIONAL STRAINER AVAILABLE AS ACCESSORY

Part No. A2-STST

- Material of construction mineral filled TPO
- Snaps in place over pump suction
- Prevents pea gravel from entering pump

xylem
Let's Solve Water

Xylem, Inc.
2881 East Bayard Street Ext., Suite A
Seneca Falls, NY 13148
Phone: (866) 325-4210
Fax: (888) 322-5877
www.xyleminc.com/brands/gouldswatertechnology

Goulds is a registered trademark of Goulds Pumps, Inc. and is used under license.
© 2012 Xylem Inc. BST31 Rev. 1 April 2012