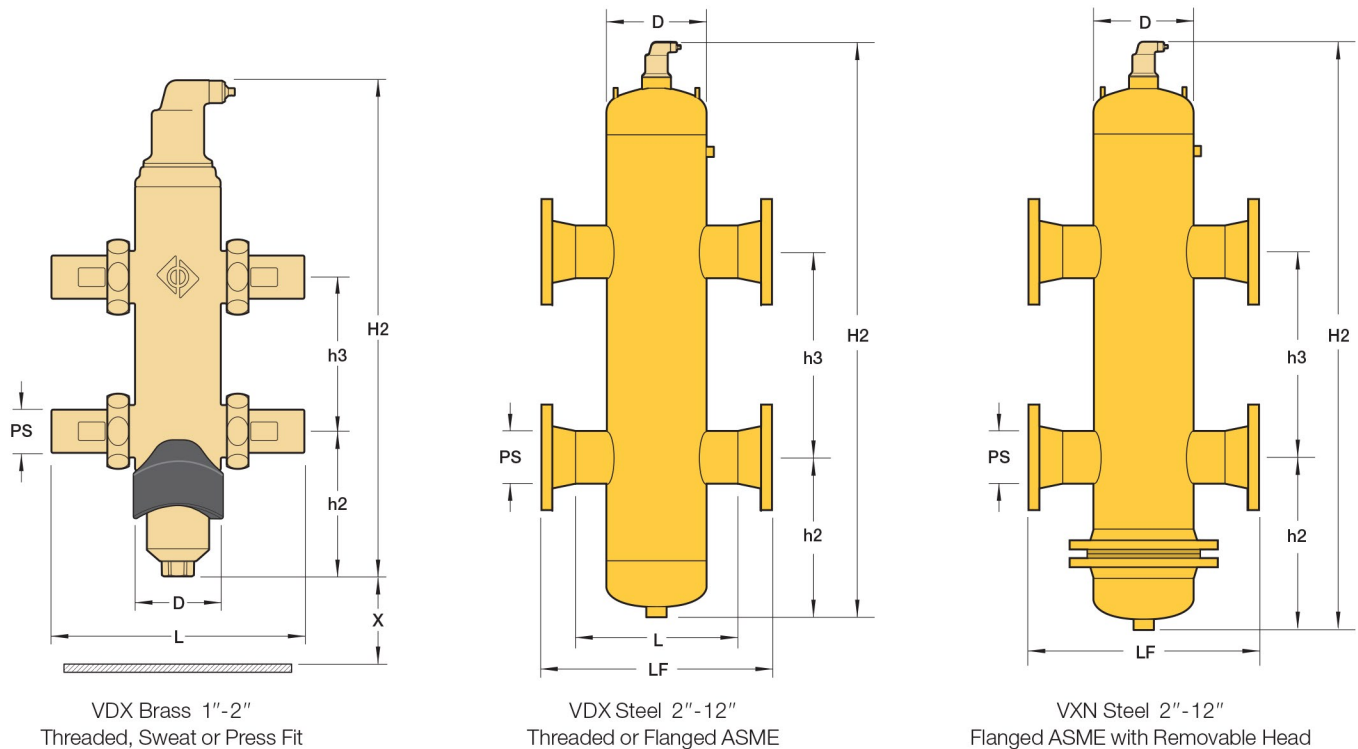


# Technical Specifications



VDX Brass 1"-2"  
Threaded, Sweat or Press Fit

VDX Steel 2"-12"  
Threaded or Flanged ASME

VXN Steel 2"-12"  
Flanged ASME with Removable Head

## Steel

		VDX200MT	VDX250MT	VDX300MT	VDX400MT					
		VDX200FA	VDX250FA	VDX300FA	VDX400FA	VDX500FA	VDX600FA	VDX800FA	VDX1000FA	VDX1200FA
		VXN200FA	VXN250FA	VXN300FA	VXN400FA	VXN500FA	VXN600FA	VXN800FA	VXN1000FA	VXN1200FA
Pipe Size	inch	2	2 1/2	3	4	5	6	8	10	12
D	inch	6.6	6.6	8.6	8.6	12.8	12.8	16.0	20.0	24.0
H2	inch	32.0	36.0	39.0	50.0	61.0	70.0	91.0	113.0	133.0
h2	inch	9.4	9.9	10.6	13.8	17.4	19.9	26.6	32.9	39.2
h3	inch	9.5	12.0	14.0	18.0	22.0	26.0	34.0	42.0	50.0
L (Threaded)	inch	12.0	12.0	15.0	15.0	—	—	—	—	—
LF (Flanged)	inch	15.0	15.0	20.0	20.0	26.0	26.0	32.0	36.0	42.0
Volume	gal.	3.2	3.7	7.1	9.4	27	32	67	134	231
Weight (lbs)	MT	56	64	106	137	—	—	—	—	—
	FA	80	96	146	197	273	323	622	978	1747
	VXN	142	160	242	281	433	518	848	1380	2127
Recom. Flow*	GPM	60	90	140	240	370	540	940	1470	2090

## Brass with Magnet (except 2")

		VDX100FTM	VDX125FTM	VDX150FTM	VDX200FT**
		VDX100SWM	VDX125SWM	VDX150SWM	VDX200SW**
		VDX100PFM	VDX125PFM	VDX150PFM	VDX200PF**
Pipe Size	inch	1	1 1/4	1 1/2	2
D	inch	3 1/2	3 1/2	3 1/2	4
H2	inch	20 1/4	20 1/4	20 1/4	30 1/4
h2	inch	7 3/8	7 3/8	7 3/8	8 1/4
h3	inch	5 3/8	5 3/8	5 3/8	10 1/4
L (Threaded)	inch	8 5/8	8 5/8	8 5/8	10 1/8
X	inch	4	4	4	4
Weight	lbs	13.2	14.3	15.4	26.4
Recom. Flow*	GPM	10	15	30	40

\* Recommended Flow based on 6 ft./sec. Entering Velocity.

\*\* Magnet not available.

All models designed as standard for 150 psig and 270°F.  
Consult local sales office for higher ratings.



Spirotherm, Inc.  
462 Camden Drive  
Bloomington, IL 60108

Tel.: 630-307-2662  
Fax: 630-307-3773  
www.spirotherm.com  
E-mail: info@spirotherm.com