



# IPS Quarter Turn T-Handle Boiler Drain



Certified to  
NSF/ANSI 372

## Product Features

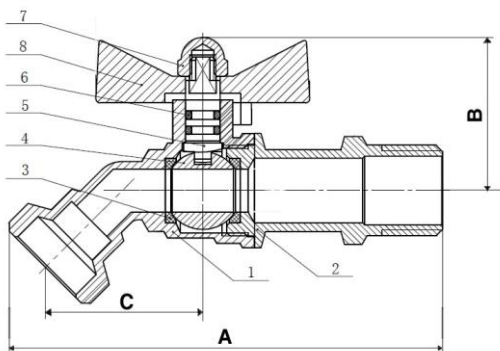
- Easy Quarter Turn Operation
- Maximun 200PSI working pressure & Large Flow Rate Teflon Seats
- 3/4" Hose Thread Outlet
- Pipe Threads Comply with ANSI B1.20.1
- Hose Threads Comply with ANSI B1.20.7
- Solder Ends Comply with ANSI B16.18
- NO-KINK HOSE BIBB



\* Lead Free are only available for 4PROLF12IPSQTBD and 4PROLF34IPSQTBD

## Dimensions

DIMENSION								
Product#	Size		A		B		C	
	In.	mm.	In.	mm.	In.	mm.	In.	mm.
4PRO12IPSQTBD	1/2"	1.27	3.58	9.10	1.48	3.75	0.90	2.28
4PRO34IPSQTBD	3/4"	1.91	3.70	9.40	1.48	3.75	0.90	2.28
4PROLF12IPSQTBD	1/2"	1.27	3.58	9.10	1.48	3.75	0.90	2.28
4PROLF34IPSQTBD	3/4"	1.91	3.70	9.40	1.48	3.75	0.90	2.28



MATERIAL LIST		
Ite	Part	Material
1	Body	Brass
2	End	Brass
3	Ball	PTFE
4	Ball	Brass
5	Stem	Brass
6	O-Ring	NBR
7	Bolt	Nickle plating
8	Handle	Aluminum

Job Name			
Date		Quantity	
Model Specified		Customer	
Architect/engine		Contractor	