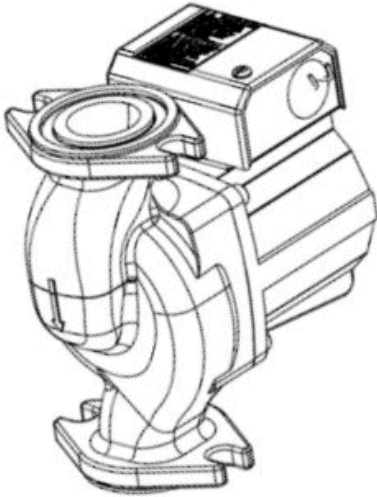


| | | |
|-------------|-----------------|-------|
| JOB: | REPRESENTATIVE: | |
| UNIT TAG: | ORDER NO. | DATE: |
| ENGINEER: | SUBMITTED BY: | DATE: |
| CONTRACTOR: | APPROVED BY: | DATE: |



Series LR Iron & Lead-Free[†] Bronze Booster Pumps

Where potable water is pumped,
use a lead-free[†] bronze Series LR
circulator.



DESCRIPTION

The Series LR is a flanged in-line system lubricated circulating pump designed specifically for quiet operation in closed loop systems. The Series LR is available in cast iron body construction for hydronic heating systems or lead-free [†] bronze body construction for potable water applications.

CONSTRUCTION

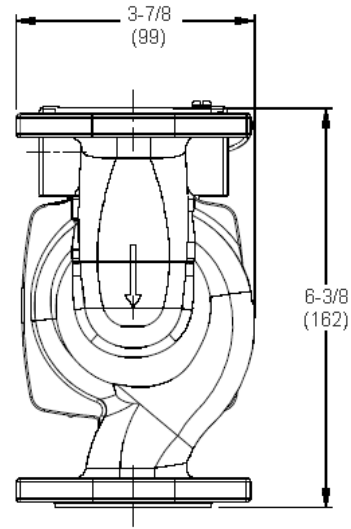
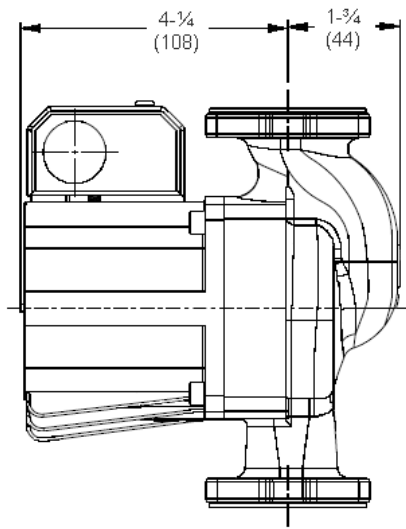
Pump Body
LR-20WR: Cast Iron
LR-15BWR: Lead-Free[†] Bronze
Impeller: Noryl[®]
Shaft: Ceramic
Bearings: Carbon

[†] Contains less than 0.25% Lead content by weight on wetted surfaces.

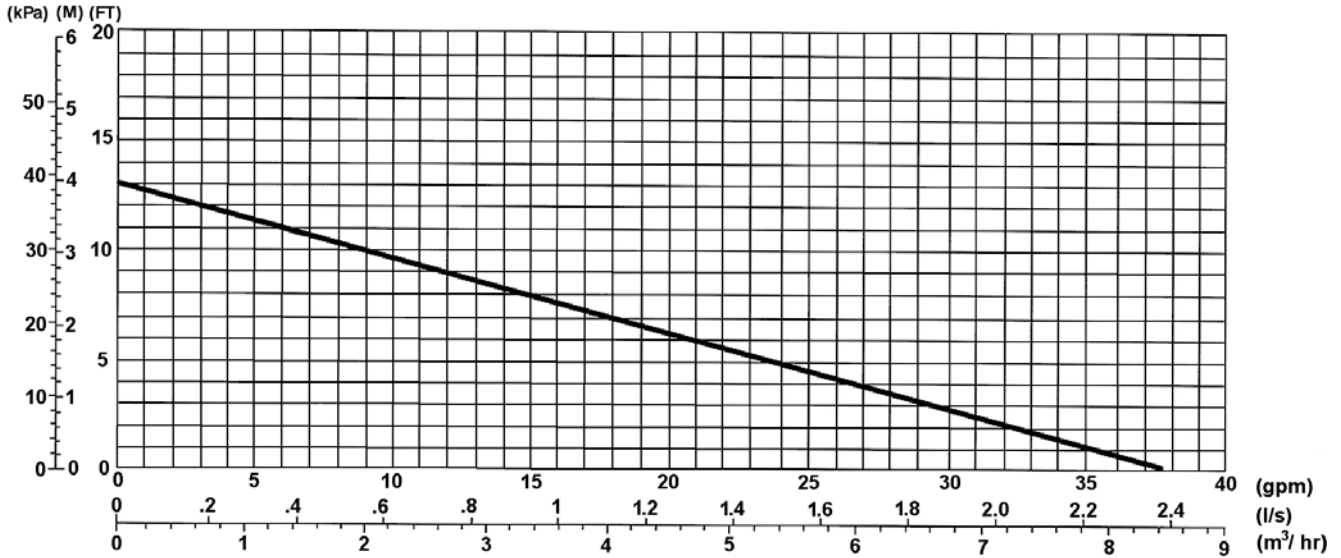
OPERATING DATA

Maximum working pressure: 150 psig (10 bar)
Maximum operating temperature: 225°F (107°C)

| Model Number | Part Number | Pump Body Material | Flange Sizes Inches-NPT | Standard 60 Cycle Motor Characteristics | | | | Tagging | Quantity |
|--------------|-------------|-------------------------------|-------------------------|---|---------|-----------|------|---------|----------|
| | | | | Watts | Voltage | F.L. Amps | RPM | | |
| LR-20WR | 106507 | Cast Iron | 3/4, 1, 1-1/4, 1-1/2 | 125 | 115 | 1.1 | 2950 | | |
| LR-15BWR | 106514LF | Lead-Free [†] Bronze | 3/4, 1, 1-1/4, 1-1/2 | 125 | 115 | 1.1 | 2950 | | |



PUMP PERFORMANCE CURVE



TYPICAL SPECIFICATIONS

The contractor shall furnish and install in-line circulating pumps as illustrated on the plans and in accordance with the following specifications:

1. The pump shall be of the horizontal system lubricated type specifically designed and guaranteed for quiet operation.
2. Pump to be suitable for 225° F (107° C) operation at 150 PSIG (10 Bar) working pressure.
3. The pumps shall have a ceramic shaft supported by carbon bearings. Bearings are to be lubricated by the circulating fluid.

4. Motor stator to be isolated from circulating fluid through use of stainless steel can. Rotor to be sheathed in stainless steel.
5. Motors shall be non-overloading at any point on the pump curve. Motors to have built-in impedance protection.
6. The pump manufacturer shall be ISO-9001 certified.

Pumps to have a capacity of _____ GPM at _____ foot head when powered by 115 volt, 60 cycle, single phase electrical supply.
All pumps are to, ITT Industries–Bell & Gossett Model LR-_____.

Xylem Inc.
8200 N. Austin Avenue
Morton Grove, IL 60053
Phone: (847)966-3700
Fax: (847)965-8379
www.xyleminc.com/brands/bellgossett

