

Central Brass

COMPANY

Brecksville, Ohio 44141

Phone: (216) 883-0220 Fax: (440) 526-5745

www.CentralBrass.com

MODEL NOS. 1137-A
1137-A-Q 81137-A
CENTERSET
LAVATORY FITTING

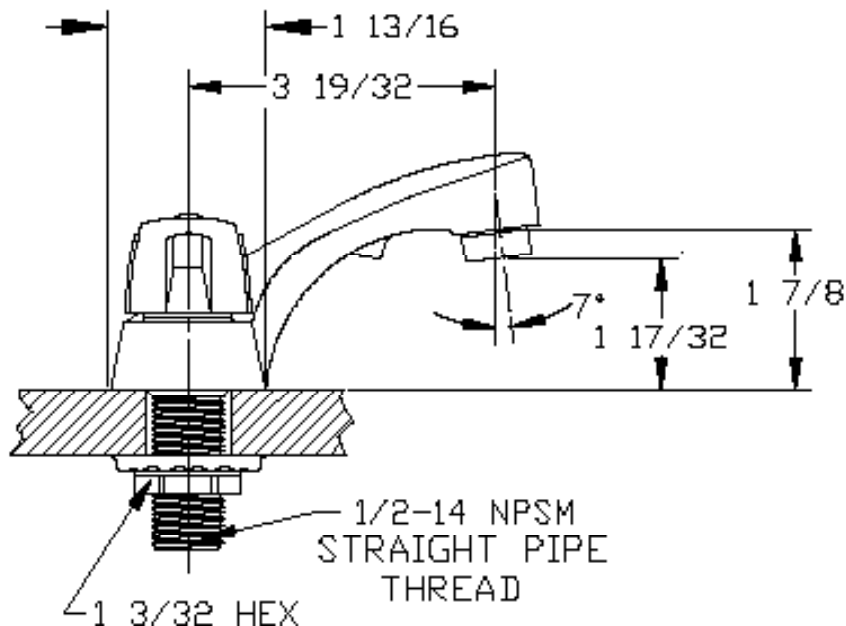
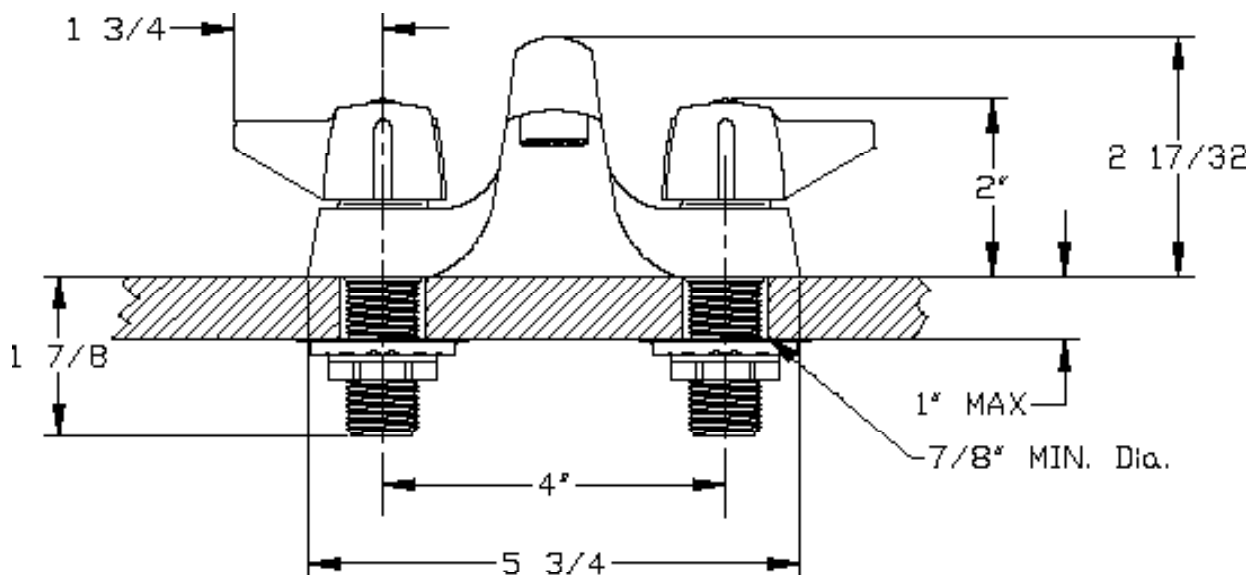
O-Ring Compression 1/4-Turn Compression Ceramic Units

1137-A

1137-A-Q

81137-A

The lavatory centerset is designed with a solid cast brass body with shanks located on 4-inch centers for supply connections and mounting. The stems are all brass, with a double O-Ring seal and rubber seat washer (for compression stems) or ceramic sealing discs (for ceramic units). The canopy handles are zinc die cast with a chrome plated finish. The faucet body is polished and copper, nickel and chrome plated. The faucet is fitted with a water saving aerator that limits the flow rate.



Flow Rate: 2
ADA Compli
Meets ASMI
ANSI/NSF 6

Central Brass

C O M P A N Y

Brecksville, Ohio 44141

Phone: (216) 883-0220 Fax: (440) 526-5745

www.CentralBrass.com

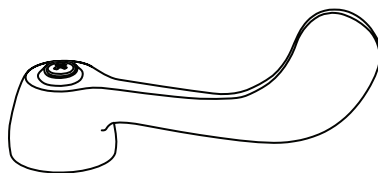
MODEL NOS. 1137-A
1137-A-Q 81137-A
CENTERSET
LAVATORY FITTING

Handle variations available

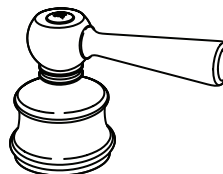


Faucets with lever, wrist or elbow handles with compression or ceramic stem cartridges are ADA compliant.

ELS - Suffix
Wrist 4-inch
EL - Suffix
Elbow 6-inch



G-4147 (4-inch)
G-4149 (6-inch)



K-512-02 (chrome)
K-512-15 (white)

■ If faucet has lever handles, use one Hot and one Cold stem assemblies