

# Preston™ Technical Specification

## Paper Holder

# DN8408

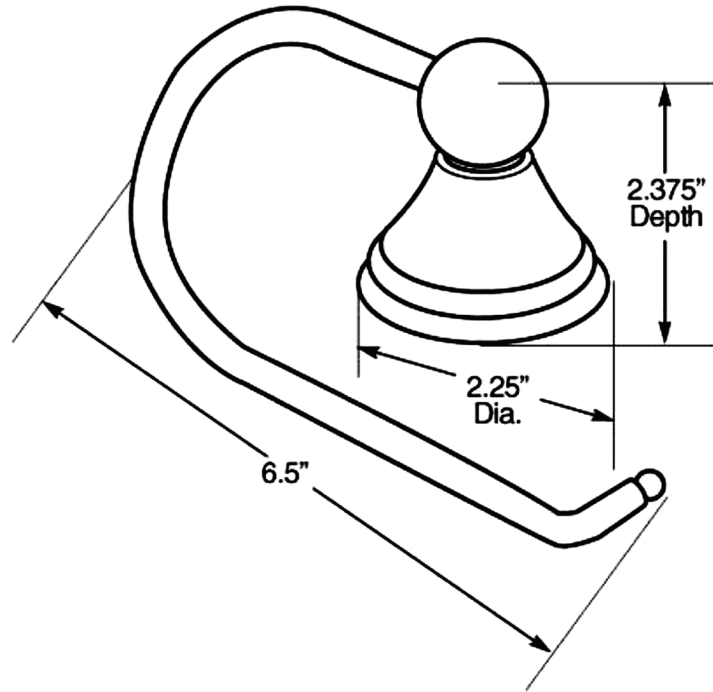
### Stock Numbers:

- **DN8408PB – Paper Holder**  
Polished Brass Finish  
Concealed Screw Mounting
- **DN8408CH – Paper Holder**  
Polished Chrome Finish  
Concealed Screw Mounting
- **DN8408MPW – Paper Holder**  
Matte Pewter Finish  
Concealed Screw Mounting
- **DN8408BN – Paper Holder**  
Brushed Nickel Finish  
Concealed Screw Mounting
- **DN8408OWB – Paper Holder**  
Old World Bronze Nickel  
Concealed Screw Mounting

### Materials:

**Paper Holder** post is die cast from highest quality zinc alloy (zamac). Castings are triple plated with a polished brass, polished chrome, or matte pewter finish.

### Dimensions:



### Installation Instructions:

1. Position the mounting plate on the wall at desired location with "UP" facing you.
2. One at a time, place each anchor screw through the mounting plate, centered in each large hole. Using a Phillips screwdriver, turn the anchor screw while applying pressure. Screw will self drill and tap into drywall. Do not over tighten.
3. Place assembly over the mounting post, setscrew facing down.
4. Tighten setscrew.

### Cleaning Instructions:

To preserve the fine finish of this product, clean only with a soft damp cloth. Dry well. Do not use commercial or abrasive cleaners.

**Stock Number:** \_\_\_\_\_ Paper Holder  
By Moen Incorporated

 **MOEN**  
Buy it for looks. Buy it for life.®

25300 AL MOEN DRIVE • NORTH OLMSTED, OH 44070  
CORPORATE HEADQUARTERS: (800) 321-8809 • FAX: (800) 848-6636  
INTERNATIONAL: (440) 962-2000 • FAX: (440) 962-2726  
CUSTOMER SERVICE (USA): 800-882-0116 • FAX: (888) 379-2720  
WWW.MOEN.COM

© 2017 Moen Incorporated. Moen is a registered trademark and Lindor is a trademark of Moen Incorporated. All rights reserved.