

B3Square 3636 Acrylic Configurable Shower Base

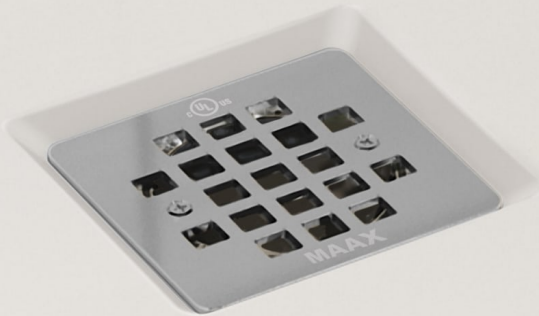
Model number:

420000-500-001-100

Dimensions: 35.875" x 35.875" x 4"

Installation:

Material: Acrylic



Standard Features:

- Acrylic square shower base with square drain
- 3 in. threshold and smooth floor
- Certain configurations available with Stabili-T anti-slip bottom meeting ADA, ANSI or CSA standards
- Center drain
- Chrome grid and drain included (ABS or PVC available)
- Multiple grid finishes available

Product characteristics:

- Made in North America
- Low Threshold
- Bestseller

Standard Colors:



White

Certifications

MAAX products adhere to one or more of the following certifications:



MAAX

B3Square 3636 Acrylic Configurable Shower Base

Model number:

420000-500-001-100

Dimensions: 35.875" x 35.875" x 4"

Installation:

Material: Acrylic

Dimensions

36 x 36 x 4 In.
(911 x 911 x 102 mm)

Weight

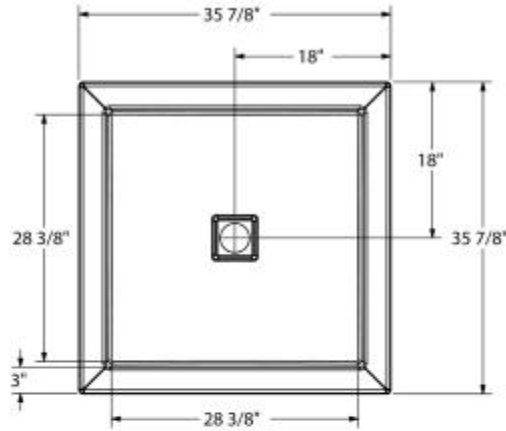
35 lbs - 15 3/4 kg

Shape

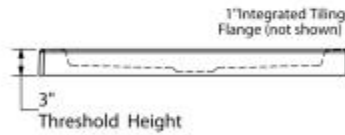
Square

Drain location:

Center



DRAIN INCLUDED
ON B3 SQUARE ONLY



This technical drawing is universal for every 3636 configuration.

Integrated tiling flange : 1" height x 1/4" thick (not shown)
Tiling flange position is determined by chosen configuration.

All dimensions are approximate. Structure measurements
must be verified against the unit to ensure proper fit.

Project: _____

Contractor: _____

Representative: _____

Date: _____

Tel: _____

Notes: _____

MAAX