

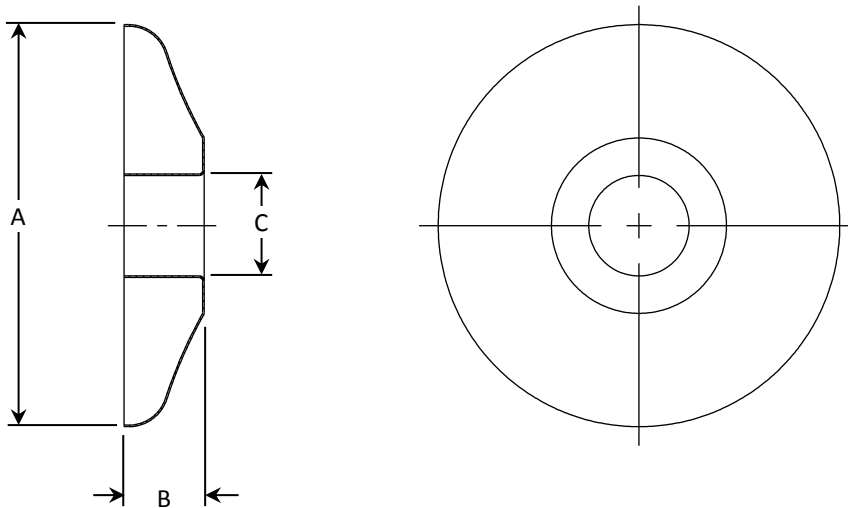
**For Residential and Commercial Applications**

|                |  |                      |  |
|----------------|--|----------------------|--|
| Job Name       |  | Engineer / Architect |  |
| Job Location   |  | Wholesaler           |  |
| Submittal Date |  | Contractor           |  |

## 649 Stainless Steel Shallow Flange – 5/8” OD Tube

**Design Features:**

- **Attractively conceals** holes in the floor or wall after rough-ins
- **Easy to install** – fits over 5/8” OD tube (1/2” nominal)
- **Internal tabs secure flange** to various tubing: copper, steel, CPVC, and PEX



| <b>CONNECTOR MATERIAL SPECIFICATIONS</b> |                        |
|------------------------------------------|------------------------|
| <i>Escutcheon</i>                        | <i>Stainless steel</i> |

| <b>PART DIMENSIONS (Inches)</b> |               |               |               |
|---------------------------------|---------------|---------------|---------------|
| <i>Model</i>                    | <i>DIA. A</i> | <i>DIM. B</i> | <i>DIA. C</i> |
| 649                             | 2.50          | .50           | .625          |

**Part Listing:**



649

Stainless steel shallow flange – fits over 5/8” OD tube (1/2” nom)

*This specification and all information contained herein is the confidential and exclusive property of BrassCraft Manufacturing, and shall not be disclosed to others without the written consent of BrassCraft Mfg. This specification must be returned to BrassCraft Mfg if requested.*

**BrassCraft®**