

Features

- Articulating spout with 360° rotation offers superior clearance for filling pots on cooktops and ranges
- 23-3/16" (590 mm) swing spout reach
- 5.2 gpm (19.7 lpm) maximum flow rate at 60 psi (4.14 bar)
- Single lever handle with main lever shutoff
- KOHLER® ceramic disc valves exceed industry longevity standards for a lifetime of durable performance
- Coordinates with traditional-style kitchen products.

Material

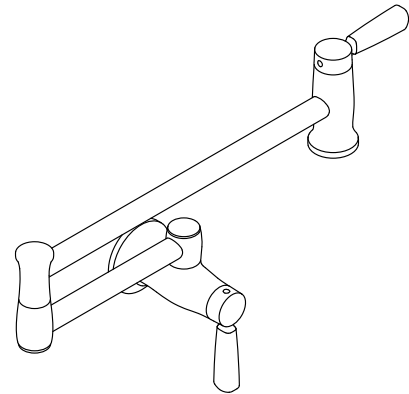
- Premium metal construction for durability and reliability
- KOHLER® finishes resist corrosion and tarnishing

Installation

- Wall-mount

Recommended Products/Accessories

K-23723 Faucet cleaner



Codes/Standards

ASME A112.18.1/CSA B125.1

NSF/ANSI/CAN 61

NSF/ANSI/CAN 372



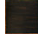


All applicable US Federal and State material regulations

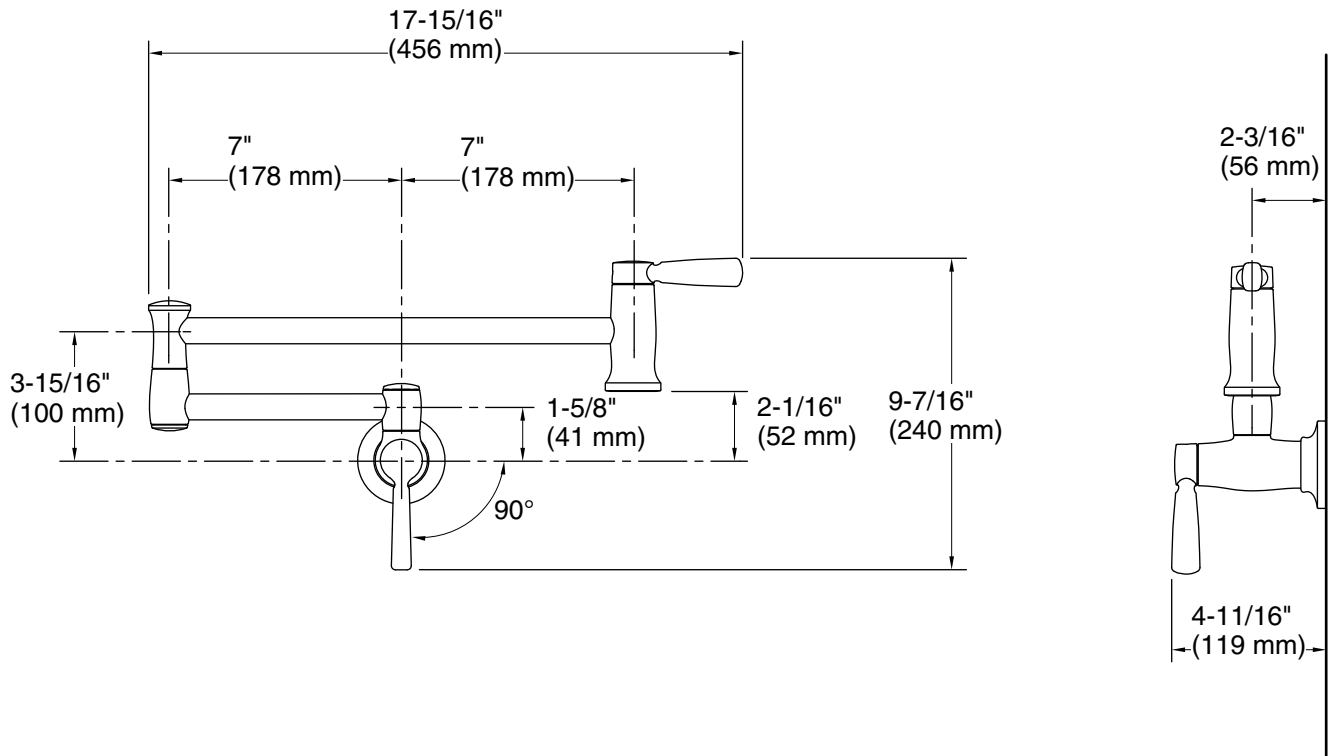
KOHLER® Faucet Lifetime Limited Warranty

See website for detailed warranty information.

Available Colors/Finishes

Color tiles intended for reference only.

| Color | Code | Description |
|---|------|--------------------------------|
|  | CP | Polished Chrome |
|  | VS | Vibrant™ Stainless |
|  | 2BZ | Oil-Rubbed Bronze |
|  | BL | Matte Black |
|  | 2MB | Vibrant™ Brushed Moderne Brass |



Technical Information

All product dimensions are nominal.

Drain included: No

Spout:

Spout reach: 23-3/16" (589 mm)

Notes

Install this product according to the installation guide.