

Specifications

Descriptions

- Brass
- 1/2" copper slip fit inlet

Available colors

- C : Chrome
- BN : Brushed Nickel (PVD)
- PN : Polished Nickel (PVD)

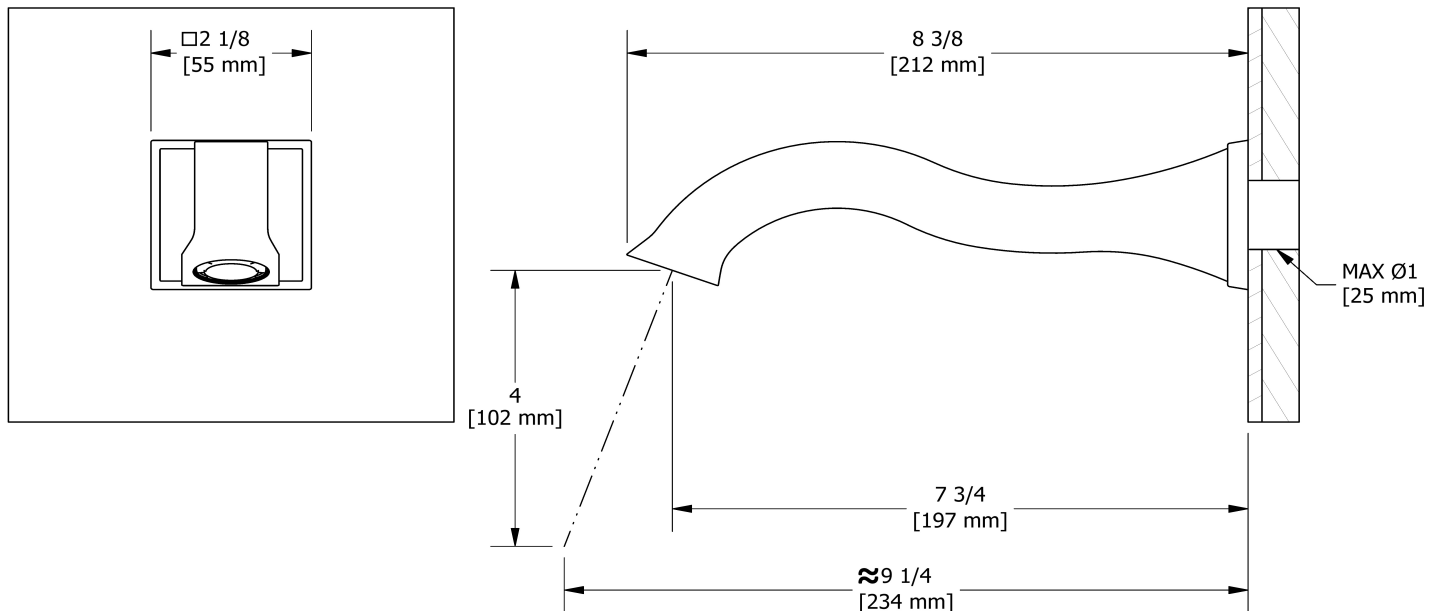
Certifications

- CSA B125.1
- ASME A112.18.1
- CMR248 Approval

Wall-mount tub spout
EF80



cUPC®



Sizes, models and finishes may differ from thoses presented.

Warranty

7KLV 5LREHO ,QF SURGXFW \RX KDYH SXUFKDVHG FDUULHV D /LPLWHG /LIHWLPH :DUUDQW\ RQ V
LQLWLDO SXUFKDVH GDWH DJDLQVW DOO PDQXIDFWXULQJ GHIHFWV \$OO RWKHU ILQLVKHV LQ
DUH FRYHUHG E\ D \HDKHZDLWHQW\DRUHQW\ RQ RXU SURGXFWV ZLOO EH KRQRUHG RQ\ LI W

Customer & D U H

Phone (800) 777 - 9762 | Email: customercare@houseofrohl.com | Website: houseofrohl.com/support/contact-us

Consult your local House of Rohl showroom for additional information and specifications. For complete warranty details and a list of showrooms, go to houseofrohl.com