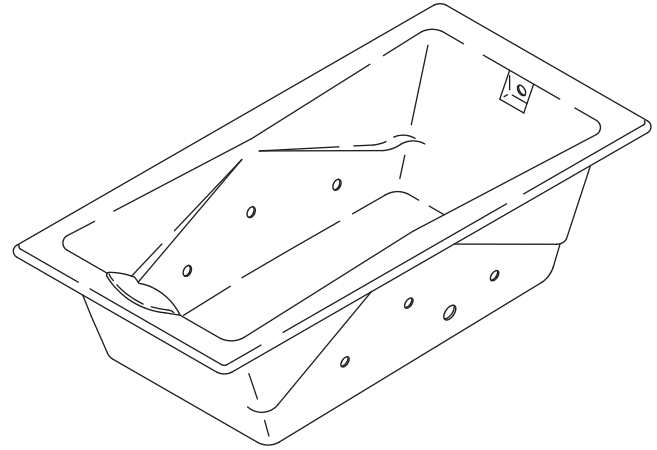


Features

- Cast iron with Safeguard® finish
- 6 Flexjets™
- Less all trim
- N1 models - variable speed pump with 1.5 kW heater
- H2 models - variable speed pump with 1.5 kW heater
- 71-3/4" (1822 mm) x 36" (914 mm) x 20-7/8" (530 mm)

6' BATH WHIRLPOOL K-865-H2 ALSO K-865-N1



Codes/Standards Applicable

Specified model meets or exceeds the following:

- ASME A112.19.3/CSA B45.4
- ASME A112.19.7
- CSA B45.10
- CSA C22.2 No 218.2
- UL 1795

Colors/Finishes

- 0: White
- Other: Refer to Price Book for additional colors/finishes

Accessories

- CP: Polished Chrome
- PB: Vibrant® Polished Brass
- Other: Refer to Price Book for additional colors/finishes
- NA: None applicable

Specified Model

Model	Description	Colors/Finishes	
K-865-H2	6' bath whirlpool	<input type="checkbox"/> 0	<input type="checkbox"/> Other_____
K-865-N1	6' bath whirlpool with neckjets and pillow (shown)	<input type="checkbox"/> 0	<input type="checkbox"/> Other_____

Required Accessories				
K-9696	Jet trim kit	<input type="checkbox"/> CP	<input type="checkbox"/> PB	<input type="checkbox"/> Other_____
K-7169-AF	Clearflo pop-up bath drain	<input type="checkbox"/> CP	<input type="checkbox"/> PB	<input type="checkbox"/> Other_____

Optional Accessories		
K-582	Undermount installation kit (template and installation instructions) K-865-H2 only	<input type="checkbox"/> NA
K-1179	Vinyl tiling-in bead (use when wall material contacts any top surface of bath)	<input type="checkbox"/> NA

Product Specification

The bath whirlpool shall be 71-3/4" (1822 mm) in length, 36" (914 mm) in width, and 20-7/8" (530 mm) in height. Bath whirlpool shall be made of cast iron with Safeguard® finish. The N1 bath whirlpool shall have 6 Flexjets, a variable speed pump with 1.5 kW heater, back-lit user control, and pulsating neckjets pillow. The H2 bath whirlpool shall have 6 Flexjets, a variable speed pump with 1.5 kW heater, and back-lit user control. Bath whirlpool shall be less all trim. Bath whirlpool shall be Kohler Model K-865-_____-_____.

TEA-FOR-TWO®

Technical Information

Fixture*:	
Bathing well:	
Basin area, bottom	49" (1245 mm) x 22" (559 mm)
Basin area, top	62" (1575 mm) x 28" (711 mm)
Weight	455 lbs (206.4 kg)
To overflow:	
Water depth	17" (432 mm)
Capacity	89 gal (336.9 L)
* Approximate measurements for comparison only.	

Product	kW	V	A*
Neckjets	1.5	240	15
Without neckjets	1.5	240	11
* Approximate measurements for comparison only.			

Drop-in cut-out	70-1/4" (1784 mm) x 34-1/2" (876 mm)
Cut-out for undermount	K-582 template for K-865-H2 only

Required Electrical Service

Dedicated circuit required, protected with Class A Ground-Fault Circuit-Interrupter (GFCI) or Residual Current Device (RCD):

Pump/control	208-240 V, 20 A, 50/60 Hz
--------------	---------------------------

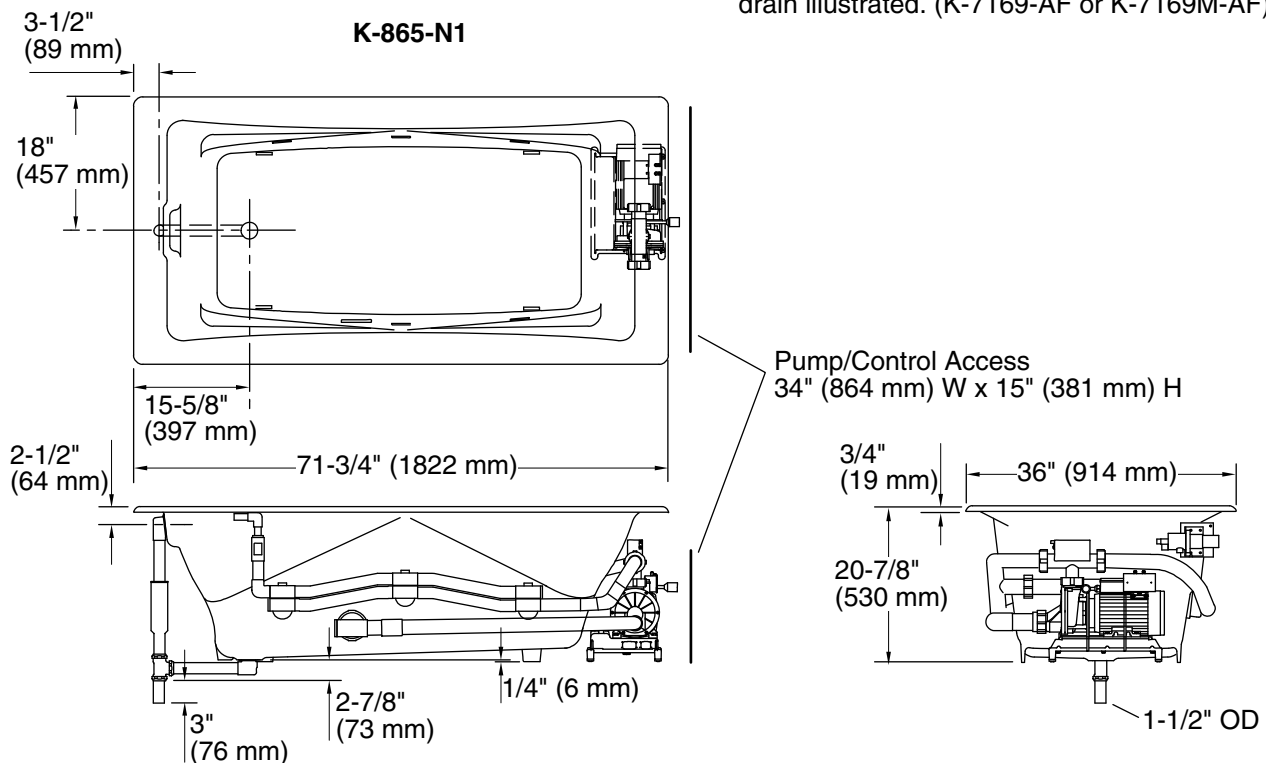
Installation Notes

Install this product according to the installation guide.

Floor support under whirlpool must provide for a minimum of 69 lbs/square foot (333 kg/square meter) loading.

Cast iron whirlpools are extremely heavy, making some drop-in installations difficult. Splitting the deck/surround is recommended if installing into a deck.

Hot water supply should be 70% of capacity or greater. Installations will vary.



No change in measurements if connected with drain illustrated. (K-7169-AF or K-7169M-AF)

Product Diagram