

**CODE NUMBER**

3305201

**DESCRIPTION**

Polished Chrome Finish, Fixture Connection Top Spud, Single Flush, True Mechanical Override, Hardwired, Exposed Sensor Hardwired Urinal/Water Closet Retrofit Flushometer.

**DETAILS**

- Finish: Polished Chrome (CP)
- Power Type: Hardwired
- Valve: Diaphragm
- Valve Body Material: Semi-red Brass
- Fixture Type: Urinal/Water Closet
- Fixture Connection: Top Spud
- Override: True Mechanical (TMO)

**FEATURES**

- “User in View” Flashing LED
- Mechanical Manual Override Flush Handle
- 72 Hour Sentinel Flush Mode
- ADA Compliant OPTIMA® SMOOTH® Hardwire Powered Infrared Sensor for automatic “Hands-free” operation

**COMPLIANCES & CERTIFICATIONS**

(ADA Compliant, BREEAM Water Credit, cUPC Certified, UL Certified, cUL Certified, Green Globes Water Credit)

**RECOMMENDED SPECIFICATION**

Valve Body, Cover, Tailpiece and Control Stop shall be in conformance with ASTM Alloy Classification for Semi- Red Brass. Valve shall be in compliance with the applicable sections of ASSE 1037 and ANSI/ASME 112.19.2.

**ELECTRICAL SPECIFICATIONS**

- Arming Delay: 8 seconds
- Control Circuit: 6 VDC Input/72 Hour Sentinel Flush/Solid State
- Sensor Range: 26" - 32" (660-813mm)
- Transformers (specify separately):
  - EL-451 (up to 6 flushometers)
  - EL-386 (Up to 1 flushometer)

**VALVE OPERATING PRESSURE (FLOWING)**

15-80 PSI (103-552 kPa). Specific fixtures may require greater minimum flowing pressure - consult manufacturer requirements.

**DOWNLOADS**

- [EL 600-A Installation Instructions](#)
- [EL600A Smooth Side Mount Repair and Maintenance Guide](#)
- [Additional Downloads](#)

**NOTES**

All information contained within this document subject to change without notice.

Looking for other variations of the EL600A product? [View the general spec sheet with all options.](#)

[Find a compatible urinal](#) for this flushometer.

[Find a compatible water closet](#) for this flushometer.

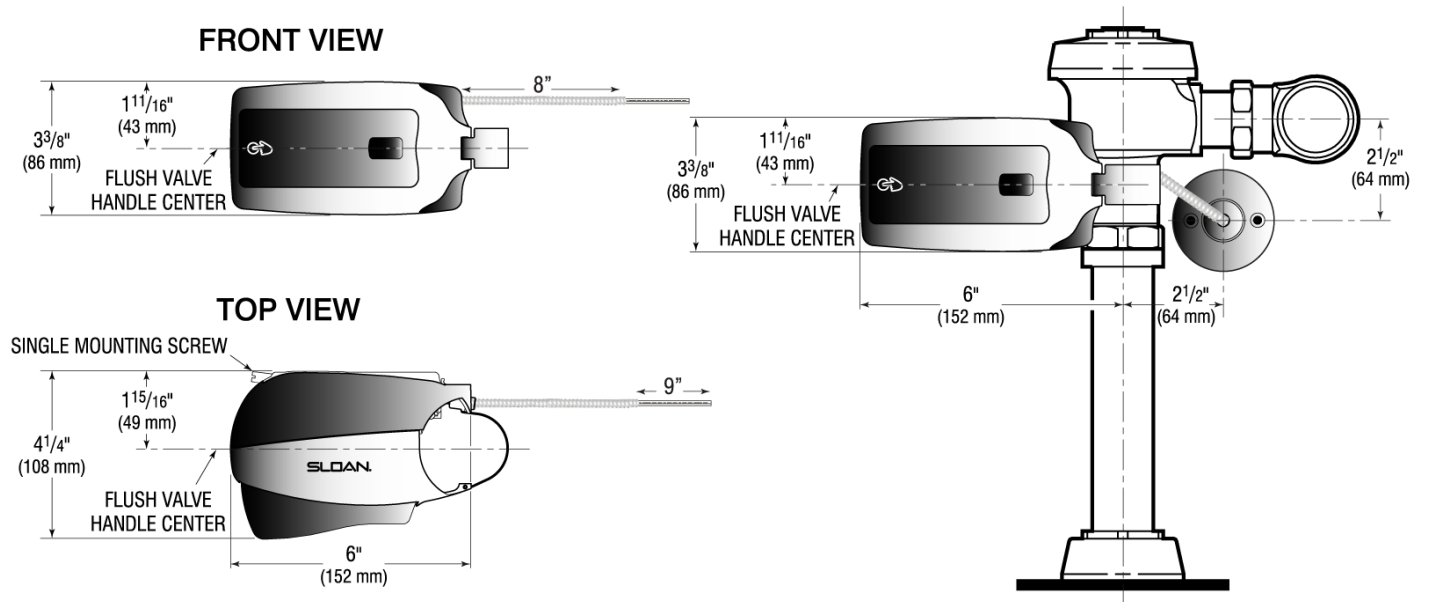
Sloan 10500 Seymour Ave, Franklin Park, IL 60131

Phone: 800.982.5839 • Fax: 800.447.8329 • [sloan.com](http://sloan.com)

**WARRANTY**

[View Warranty Information](#)

**ROUGH-IN**



**Sloan 10500 Seymour Ave, Franklin Park, IL 60131**

Phone: 800.982.5839 • Fax: 800.447.8329 • [sloan.com](http://sloan.com)