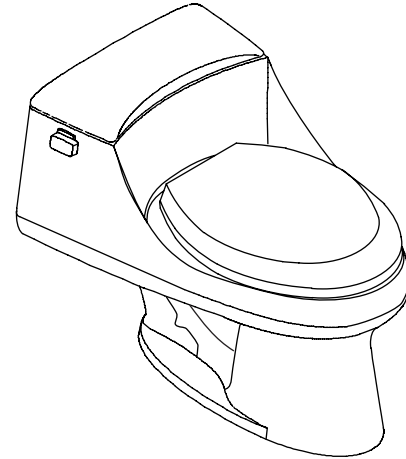


ELONGATED TOILET K-3384-2

Features

- Vitreous china
- Elongated bowl
- One-piece
- Includes French Curve™ seat and cover
- Polished chrome trip lever
- Ingenium® flushing system
- Less supply
- 12" (305 mm) rough-in
- 1.6 gpf (6 lpf)
- EPDM flapper
- 11" (279 mm) x 9-1/4" (235 mm) water area
- 29" (737 mm) x 20-3/8" (518 mm) x 23-1/4" (591 mm)



Codes/Standards Applicable

Specified model meets or exceeds the following:

- ASME A112.19.2/CSA B45.1

Colors/Finishes

- 0: White
- Other: Refer to Price Book for additional colors/finishes

Accessories

- CP: Polished Chrome
- PB: Vibrant® Polished Brass
- Other: Refer to Price Book for additional colors/finishes

Specified Model

Model	Description	Colors/Finishes	
K-3384-2	Elongated toilet	<input type="checkbox"/> 0	<input type="checkbox"/> Other _____
Optional Accessories			
K-9453	Trip lever (non-CP)	<input type="checkbox"/> PB	<input type="checkbox"/> Other _____
1098661	Brass riser kit (when local codes require a rigid water supply)		

Product Specification

The elongated one-piece toilet shall be made of vitreous china. Toilet shall be 29" (737 mm) in length, 20-3/8" (518 mm) in width, and 23-1/4" (591 mm) in height with a 11" (279 mm) x 9-1/4" (235 mm) water area. Toilet shall be 1.6 gpf (6 lpf) and 12" (305 mm) rough-in. Toilet shall have Kohler Ingenium® flushing system. Toilet shall have an EPDM flapper. Toilet shall include French Curve™ seat and cover and polished chrome trip lever. Toilet shall be less supply. Toilet shall be Kohler Model K-3384-2-_____.

SAN RAPHAEL™

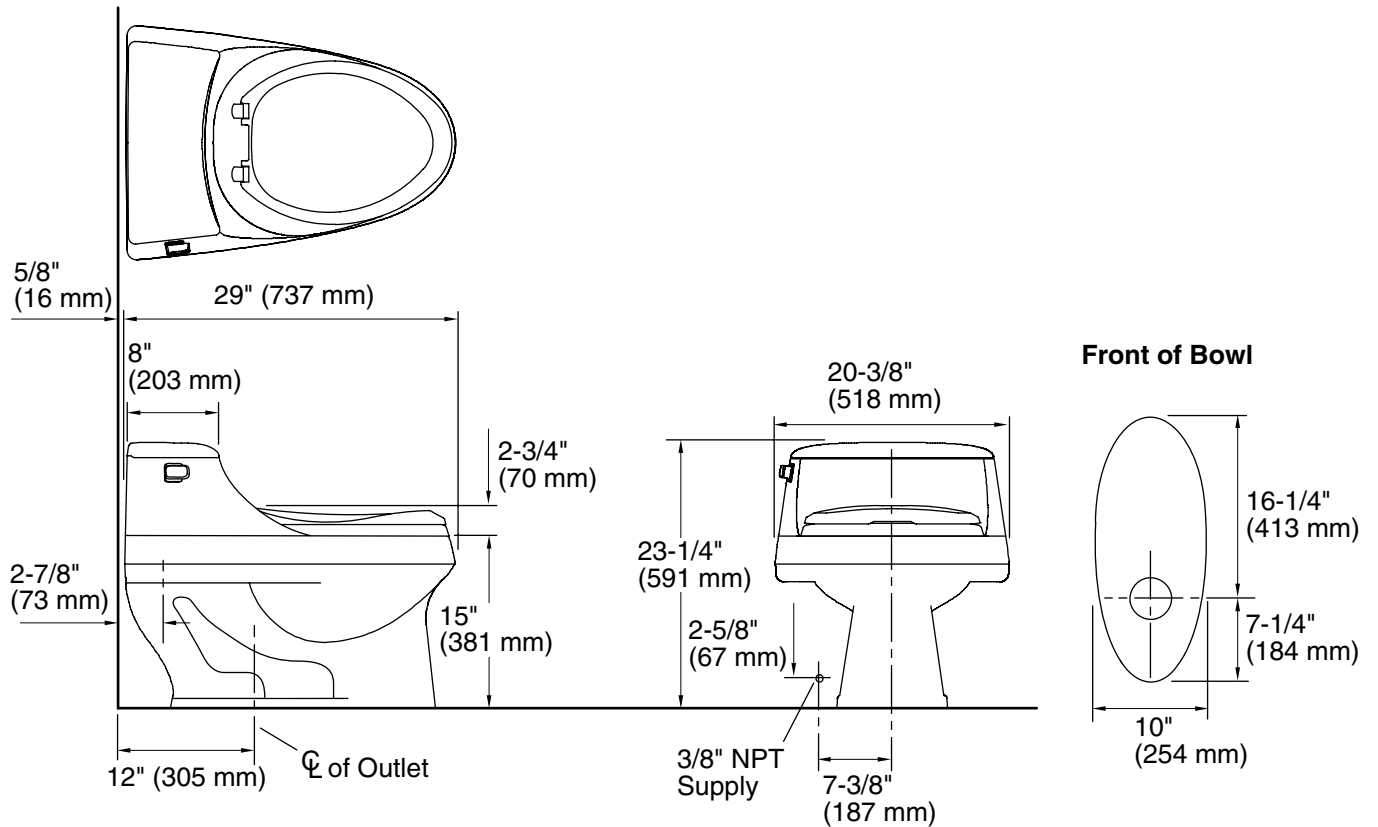
Technical Information

Fixture:	
Configuration	one-piece, elongated
Water per flush	1.6 gallons (6 L)
Passageway	2" (51 mm)
Water area	11" (279 mm) x 9-1/4" (238 mm)
Water depth from rim	5-5/8" (143 mm)
Seat post hole centers	5-1/2" (140 mm)

Included components:	
Tank cover	1010658
Trip lever	K-9453
Toilet seat	K-4713
Tank accessory pack	84301
Bolt cap accessory pack	1013092

Installation Notes

Install this product according to the installation guide.



Product Diagram