

### Features

- A single handle controls both on/off activation and temperature setting.
- 9-1/8" (232 mm) high-arc spout.
- 8.0 gpm (30.3 lpm) maximum bath faucet flow rate at 45 psi (3.1 bar).
- Includes Shift+® Round 1.75 gpm handshower and 60" hose.
- 1.75 gpm (6.6 lpm) maximum handshower flow rate at 80 psi (5.5 bar).
- KOHLER ceramic disc valves exceed industry longevity standards for a lifetime of durable performance.
- Part of the Occasion bathroom faucet and accessory collection.

### Material

- Premium metal construction for durability and reliability.
- KOHLER finishes resist corrosion and tarnishing.

### Installation

- Floor-mount.

### Required Products/Accessories

For freestanding installation  
K-97339 Mounting Block for floor-mount bath fillers

### Recommended Products/Accessories

K-23723 Faucet cleaner  
K-27060 18" towel bar  
K-27061 24" towel bar  
K-27062 24" double towel bar  
K-27063 Towel ring  
K-27064 Vertical toilet paper holder  
K-27065 Pivoting toilet paper holder  
K-27069 Robe hook  
K-27128 Toilet paper holder with tray

### Included Components

Additional Components:  
21335-G



### Codes/Standards

ASME A112.18.1/CSA B125.1  
DOE - Energy Policy Act 1992  
EPA WaterSense®  
California Energy Commission (CEC)

### KOHLER® Faucet Lifetime Limited Warranty

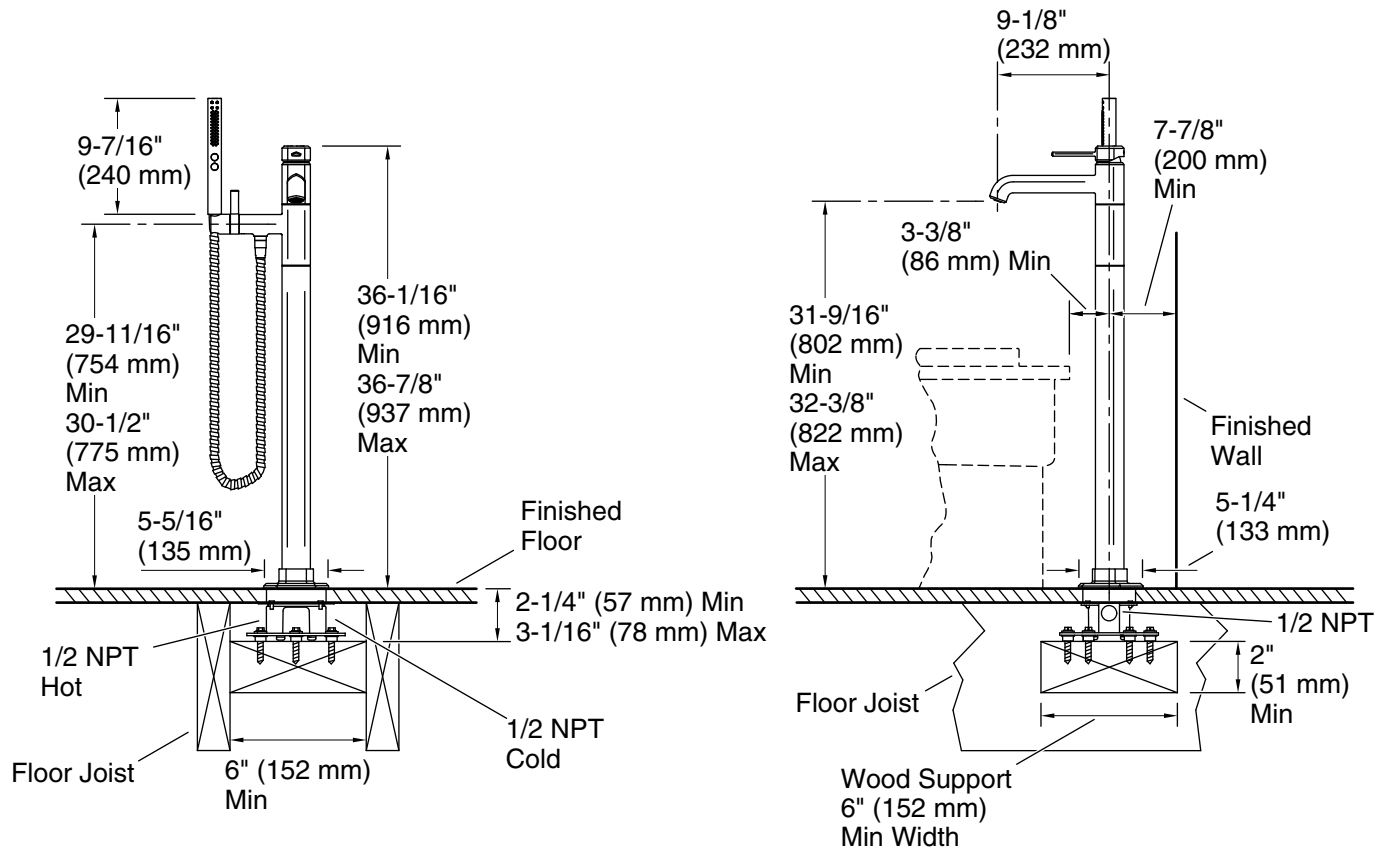
See website for detailed warranty information.

### Available Colors/Finishes

*Color tiles intended for reference only.*

Color	Code	Description
-------	------	-------------

	CP	
	SN	
	BN	
	BL	
	2MB	
	BMB	



### Technical Information

All product dimensions are nominal.

#### Shower Valve:

Pressure:	45 psi (3.1 bar)
Maximum (Static) Pressure:	125 psi (8.6 bar)
Minimum (Operating) Pressure:	20 psi (1.4 bar)
Drain included:	No