



Primary™
Round-Front Toilet Seat
K-4686-A

Features

- Solid polypropylene plastic.
- Round open-front seat without lid.
- Plastic hinges.
- With smaller opening.
- Scalloped side handles for comfort and support of young children.
- Includes an anti-microbial agent formed into the plastic which inhibits the growth of bacteria and germs on the toilet seat.



Codes/Standards

IAPMO/ANSI Z124.5

KOHLER® One-Year Limited Warranty

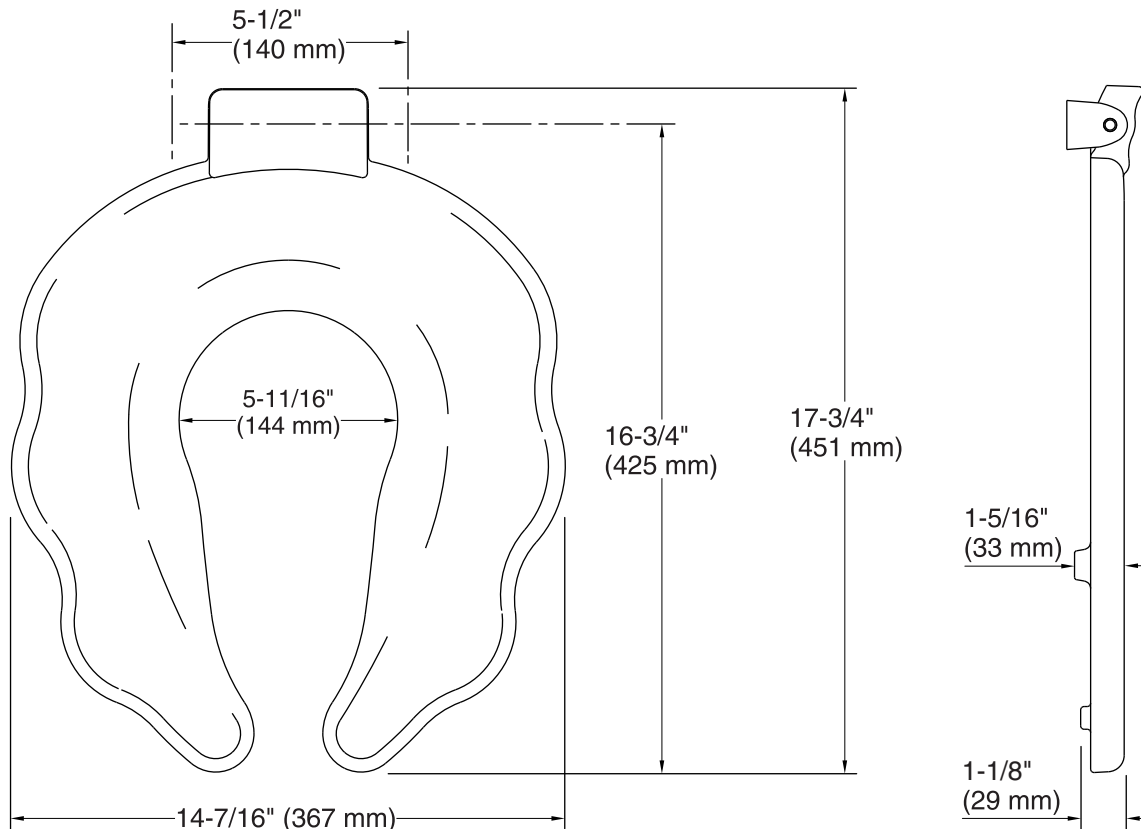
See website for detailed warranty information.

Available Color/Finishes

Color tiles intended for reference only.

Color Code Description

	0	White
--	---	-------



Technical Information

All product dimensions are nominal.

Seat shape type: Round-front

Seat front type: Open-front

Seat-mounting holes: 5-1/2" (140 mm)

Notes

Install this product according to the installation guide.