

### Features

- For use with K-18829-NA 2"x4" in-wall tank and carrier system.
- Large flush actuator plate opening can be removed for easy access to inner tank.
- Dual-flush actuator offers a choice of 0.8 or 1.6 gallons per flush (gpf).

### Installation

- See installation guide for more detailed information.

### Water Conservation & Rebates

- WaterSense® toilets meet strict EPA flushing guidelines, including using at least 20 percent less water than 1.6-gallon toilets.
- Eligible for consumer rebates in some municipalities.

### Recommended Products/Accessories

K-18829 2x4 In-Wall Tank & Carrier System



### Codes/Standards


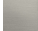



None Applicable

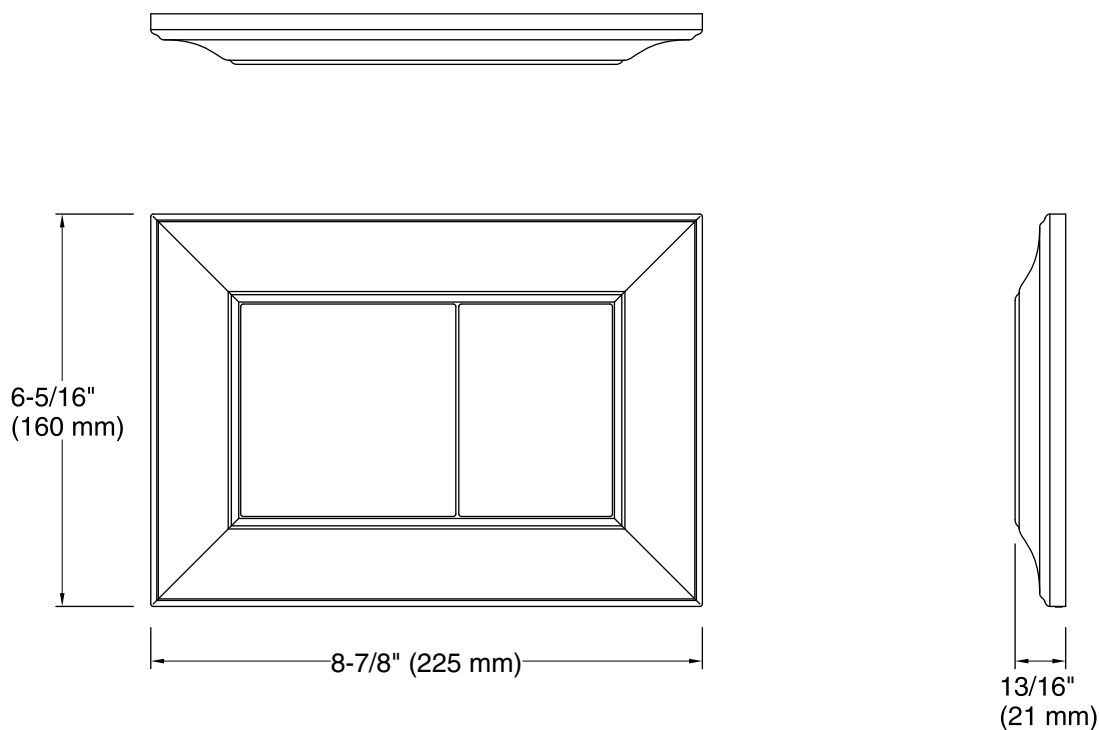
### KOHLER® One-Year Limited Warranty

See website for detailed warranty information.

### Available Colors/Finishes

*Color tiles intended for reference only.*

Color	Code	Description
	CP	Polished Chrome
	BN	Vibrant® Brushed Nickel
	0	White
	96	Biscuit
	7	Black Black™



## Technical Information

All product dimensions are nominal.

## Notes

Install this product according to the installation instructions.