



McGuire Manufacturing Co., Inc.

60 Grandview Court
 P.O. Box 746 • Cheshire, CT 06410
 203-699-1801 • Fax: 203-699-1813
 www.mcguiremfg.com

PRODUCT SPECIFICATION

Part No.

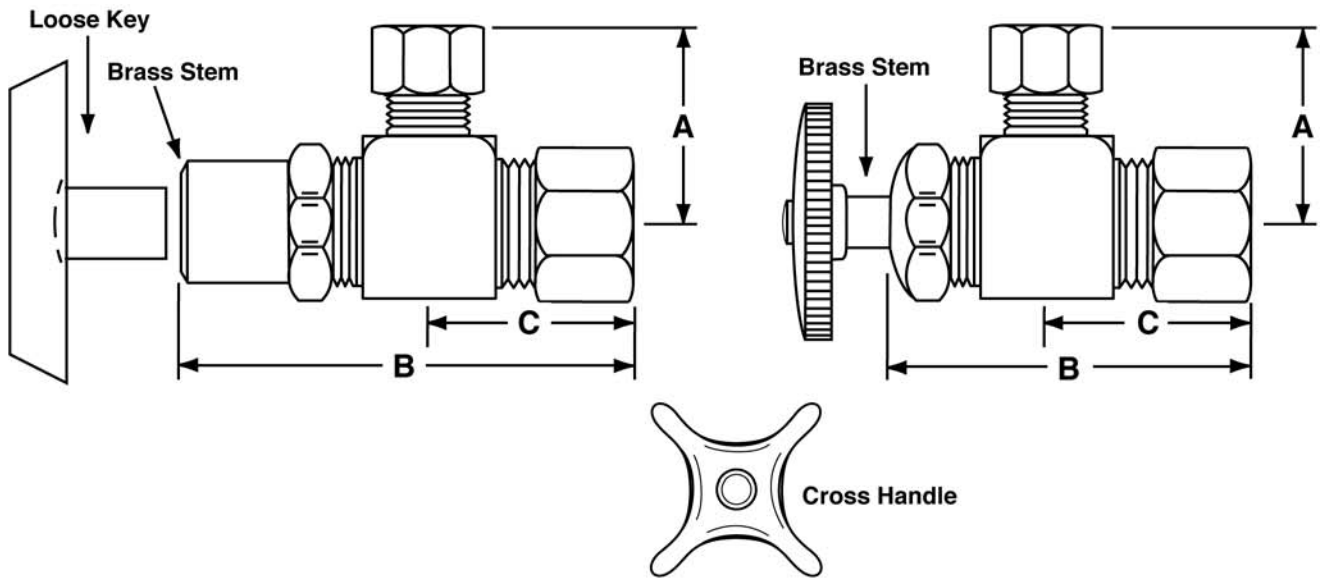
LFHST09, LFHST09LK, LFHST09X,
 LFHST10, LFHST10LK, LFHST10X

**Premier Angle Supply Stop
 Nominal x O.D.**

Job Name:

Submittal Number:

Compression to Compression



NO.	DESCRIPTION	ROUGHING MEASUREMENTS		
		A	B	C
LFHST09	1/2" Nominal x 3/8" O.D.	1-3/8"	2-1/4"	1-3/8"
LFHST09LK	1/2" Nominal x 3/8" O.D.	1-3/8"	2-3/4"	1-3/8"
LFHST09X	1/2" Nominal x 3/8" O.D.	1-3/8"	2-1/4"	1-3/8"
LFHST10	1/2" Nominal x 1/2" O.D.	1-1/2"	2-1/4"	1-3/8"
LFHST10LK	1/2" Nominal x 1/2" O.D.	1-1/2"	2-3/4"	1-3/8"
LFHST10X	1/2" Nominal x 1/2" O.D.	1-1/2"	2-1/4"	1-3/8"

LK designates *Loose Key*

X designates *Heavy Brass Cross Handle*

See options and accessories section for details on product variations.



ASME A112.18.1-2011/CSA B125.1-11

Specifications:

Chrome plated brass, heavy supply stop valve with full turn brass stem. Inlet shall be (3/8, 1/2) inch (IPS, sweat, compression). Outlet shall be (3.8, 1/2) inch (IPS, compression). Supply stop valve shall be McGuire _____ . Supply stop valve shall be recognized by testing authority and bear manufacturer and testing mark.



McGuire Manufacturing Co., Inc.

60 Grandview Court
P.O. Box 746 • Cheshire, CT 06410
203-699-1801 • Fax: 203-699-1813
www.mcguiremfg.com

PRODUCT SPECIFICATION

Part No.

Options and Accessories

Job Name:

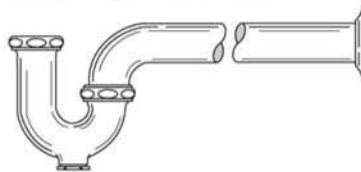
Submittal Number:

CAST BODY P-TRAP OPTIONS

WALL BEND OPTIONS-

Add suffix to part number.

- 15 - 15" C to E (1-1/4" and 1-1/2" only)
- 18 - 18" C to E (1-1/4" and 1-1/2" only)
- GJ - Ground joint wallbend
Custom sizes available.



FLANGE OPTIONS-

Add suffix to part number.

- F - Forged Brass, set screw, chrome plated
- DF - Deep Flange, (bell type) chrome plated brass
- SDF - Deep Flange, (bell type) chrome plated steel
- B - Box Flange, chrome plated wrought steel
- BF - Box Flange, chrome plated brass

STANDARD FINISH OPTIONS-

Add suffix to part number.

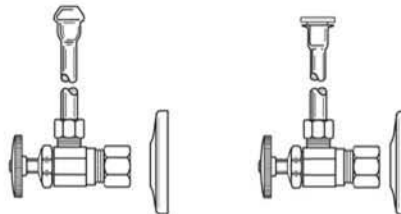
- C - Polished Chrome
- SC - Satin Chrome
Custom finishes available.

Options available for McGuire "Classic" Professional Line only.

OPTIONS FOR SUPPLIES

FLANGE OPTIONS- Use suffix after part number.

- F - Heavy brass, set screw
- DF - Deep flange (bell type) wrought brass
- SDF - Deep flange (bell type) steel
- B - Deep flange (box type) steel
- BF - Deep flange (box type) wrought brass



RISER OPTIONS- Use suffix after part number.

- R15 - 15" Standard Lavatory or Closet
- R20 - 20" Standard Lavatory or Closet
- R36 - 36" Standard Lavatory
- CR - 12" Compression Riser
- CR20 - 20" Compression Riser
- SR - 12" Sweat Riser
- SR20 - 20" Sweat Riser

STUFFING BOX STEM OPTION- Use suffix after part #.

- SB - Stuffing Box for Stop Valves. Not available for Convertible™ Ball Valve Supplies.

LOCK SHIELD CAP OPTIONS- Use suffix after part #.

- C - Cap for Standard and Heavy Line Loose Key Supply Kits

STOP VALVE HANDLE OPTIONS- Use suffix after part #.

- X - Heavy brass Cross Handle

SCREWDRIVER STEP OPTION - Use suffix after part #

- SD - Screwdriver Stem for Loose Key Supply Kits

COMMON NIPPLE OPTIONS-

Use suffix after part number.

- N3 - 3" Cast brass Nipple
- N5 - 5" Cast brass Nipple
Custom sizes available.

OPTIONS FOR STRAINERS AND DRAINS

8", 10", 12" TAILPIECES IN STOCK-

Use suffix after part number.

- 8 = 8"
- 10 = 10"
- 12 = 12"

Custom size tailpiece and configurations available.
Specialty gauge brass and stainless also available.

STANDARD FINISH OPTIONS -

Add suffix to part number.

- C - Polished Chrome
- S - Satin Chrome
Custom finishes available.



Options available for McGuire "Classic" Professional Line only.