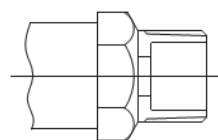




Anti-Siphon Lead Free  
Frost Free Sillcock  
3/4" Hose Bibb Quarter Turn

## PRODUCTS FEATURES

- Finish: Chrome plated
- All brass construction
- Quarter-turn operation
- Working & maximum water pressure: 125 psi
- Maximum water temperature: 180°F (82°C)
- Working water temperature: 32°F~140°F (0°C~60 °C)
- Lead-free design is suitable for all no-lead potable water installations
- meets ASSE-1019-A

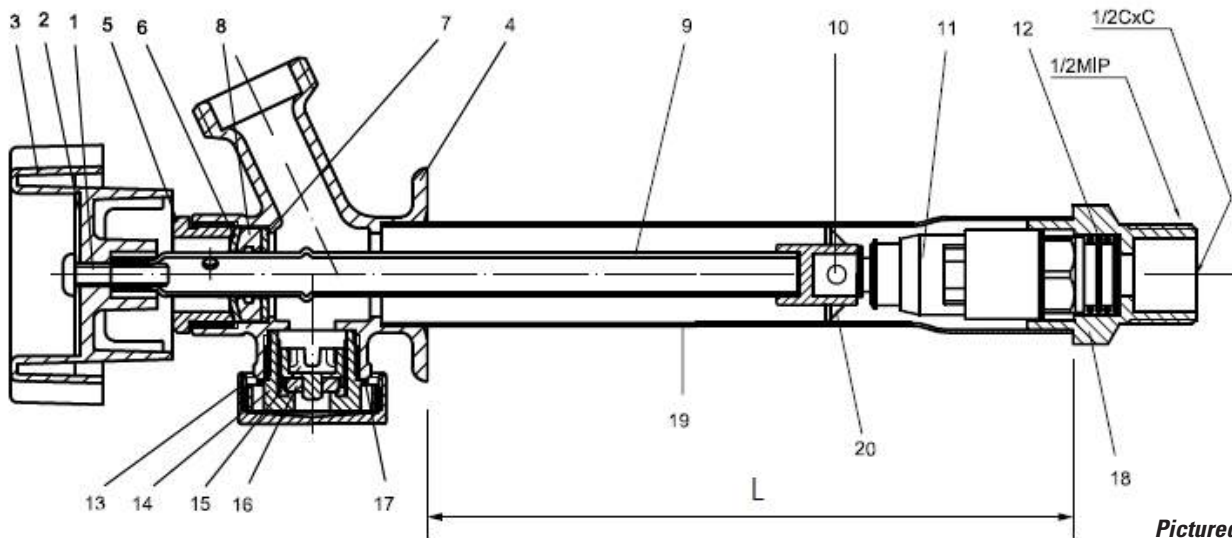


1/2" MIP  
x  
1/2" Solder



*Pictured: Model 4PRO12.8ASFFSC*

Product #	Description
4PRO12.4ASFFSC	1/2" MIP x 1/2" Solder x 4" Lead Free Quarter Turn Anti-Siphon Frost Free Sillcock
4PRO12.6ASFFSC	1/2" MIP x 1/2" Solder x 6" Lead Free Quarter Turn Anti-Siphon Frost Free Sillcock
4PRO12.8ASFFSC	1/2" MIP x 1/2" Solder x 8" Lead Free Quarter Turn Anti-Siphon Frost Free Sillcock
4PRO12.10ASFFSC	1/2" MIP x 1/2" Solder x 10" Lead Free Quarter Turn Anti-Siphon Frost Free Sillcock
4PRO12.12ASFFSC	1/2" MIP x 1/2" Solder x 12" Lead Free Quarter Turn Anti-Siphon Frost Free Sillcock
4PRO12.14ASFFSC	1/2" MIP x 1/2" Solder x 14" Lead Free Quarter Turn Anti-Siphon Frost Free Sillcock
4PROVBRK	Vacuum Breaker Repair Kit
4PROSCRK	Sillcock Repair Kit



**Pictured:**  
**Model 4PRO12.8ASFFSC**  
 Cut-away



Handle Repair Kit: 1, 3



Cartridge Repair Kit: 11



Vacuum Breaker Repair Kit:  
 13, 14, 15, 16, 17

Item #	Description	Material	Q'ty
1	SCREW	BRASS	1
2	NAME PLATE	ALUMINUM	1
3	HANDLE	ALUMINUM	1
4	VALVE BODY	BRASS	1
5	NUT	BRASS	1
6	Packing	S.S.	1
7	Packing	S.S.	1
8	WASHER	RUBBER	1
9	STEM	BRASS	1
10	SCREW	S.S.	1
11	CARTRIDGE	BRASS	1
12	O-RING	VITON	2
13	VB COVER	ABS	1
14	VB BODY	POM	1
15	VB PLUNGER	POM	1
16	VB WASHER	RUBBER	1
17	VB O-RING	RUBBER	1
18	ADAPTER	BRASS	1
19	TUBE	BRASS	1
20	PACKING	RUBBER	1

Product #	L
4PRO12.4ASFFSC	4"
4PRO12.6ASFFSC	6"
4PRO12.8ASFFSC	8"
4PRO12.10ASFFSC	10"
4PRO12.12ASFFSC	12"
4PRO12.14ASFFSC	14"