



Buy it for looks. Buy it for life.®

Specifications

DESCRIPTION

- Metal construction with various finishes identified by suffix
- Designed to be installed through 2, 1-1/4" dia. holes 8" on center
- 3/4" MNPT connections
- Single function handheld shower
- 59" double interlock spiral hose (metal)
- Includes integral dual check valves for backflow protection


OPERATION

- Lever style handles
- Maximum handle rotation angle is 90° to full on for either handle
- Rotate hot side counterclockwise to open and clockwise to close
- Rotate cold side clockwise to open and counterclockwise to close
- Lever diverter to switch between tub spout and handshower

FLOW

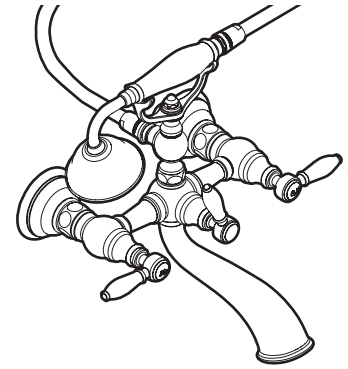
- Faucet designed to deliver 10.0 gpm (37.9 L/min) at 45psi
- Handshowers of EP suffix models are limited to 2.0 gpm (7.6 L/min) max for products manufactured prior to June 30, 2018. EP suffix models manufactured after June 30, 2018 are limited to 1.75 gpm (6.7 L/min) max.

STANDARDS

- Third party certified to ASME A112.18.1/CSA B125.1, and all applicable requirements referenced therein
- ADA  for lever handles

WARRANTY

- Lifetime limited warranty against leaks, drips and finish defects to the original homeowner
 - 10 year limited warranty when used in a multifamily installation
 - 5 year limited warranty when used in a commercial installation
- Visit www.moen.com/support for complete details and limitations



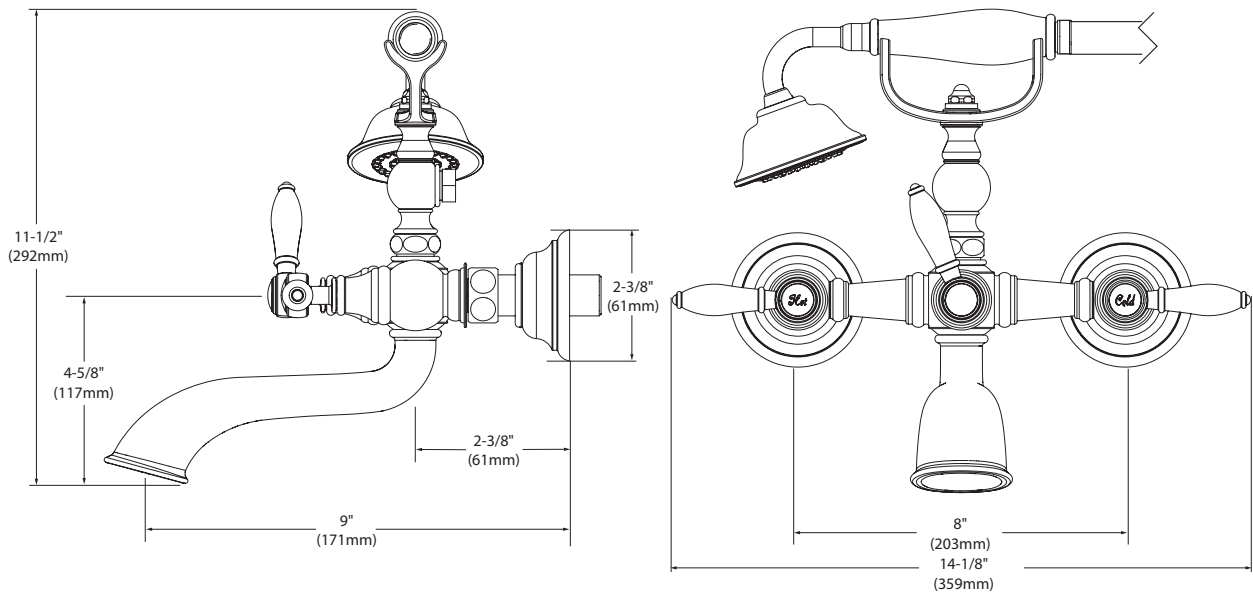
Weymouth™ Two-Handle Wall Mount Tub Filler Faucet

Models: S22110 series

See second page for full floor
mount tub filler



Handshower S12107EP



CRITICAL DIMENSIONS

(DO NOT SCALE)



Buy it for looks. Buy it for life.®

Specifications

DESCRIPTION

- Metal construction with various finishes identified by suffix
- Designed to be installed through 2, 2-1/2" dia. holes 8" on center
- 3/4" MNPT connections
- Single function handheld shower
- 59" double interlock spiral hose (metal)
- Includes integral dual check valves for backflow protection


OPERATION

- Lever style handles
- Maximum handle rotation angle is 90° to full on for either handle
- Rotate hot side counterclockwise to open and clockwise to close
- Rotate cold side clockwise to open and counterclockwise to close
- Lever diverter to switch between tub spout and handshower

FLOW

- Faucet designed to deliver 10.0 gpm (37.9 L/min) at 45psi
- Handshowers of EP suffix models are limited to 2.0 gpm (7.6 L/min) max for products manufactured prior to June 30, 2018. EP suffix models manufactured after June 30, 2018 are limited to 1.75 gpm (6.7 L/min) max.

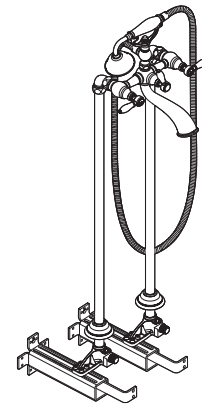
STANDARDS

- Third party certified to ASME A112.18.1/CSA B125.1, and all applicable requirements referenced therein
- **ADA**  for lever handles

WARRANTY

- Lifetime limited warranty against leaks, drips and finish defects to the original homeowner
- 10 year limited warranty when used in a multifamily installation
- 5 year limited warranty when used in a commercial installation

Visit www.moen.com/support for complete details and limitations



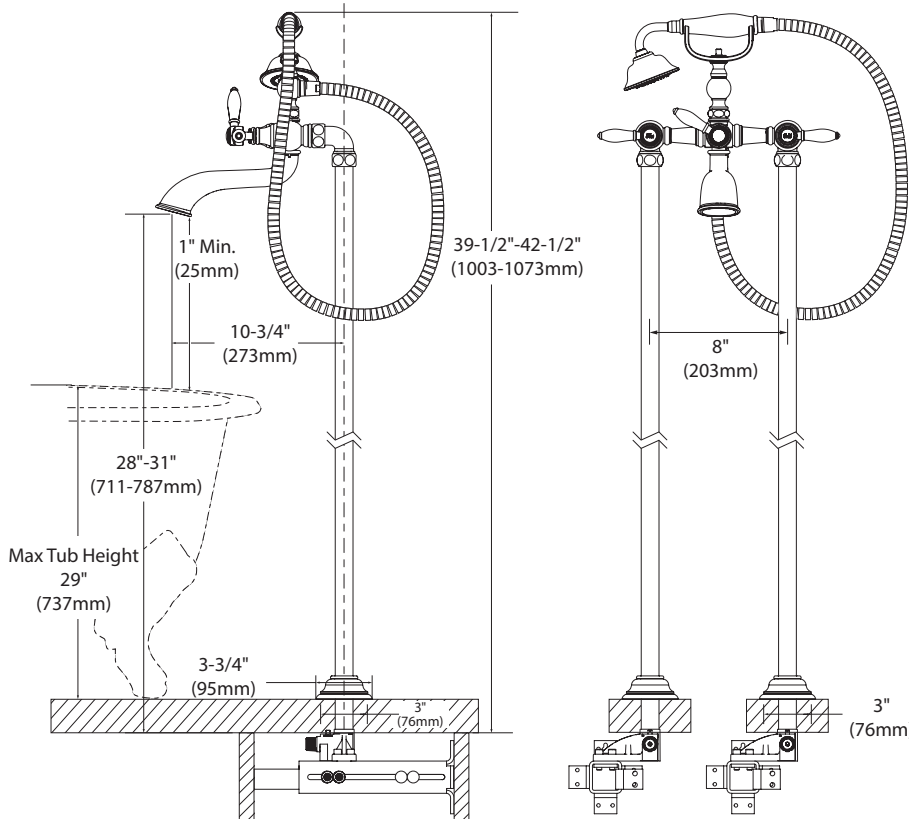
Weymouth™ Two-Handle Floor Mount Tub Filler

Models: S22110 series

Floor Mount Risers: TS25105 series
Floor Mount Rough-In Kit: TS50200
(use with TS25105 series floor mount risers)



Handshower S12107EP



CRITICAL DIMENSIONS

(DO NOT SCALE)